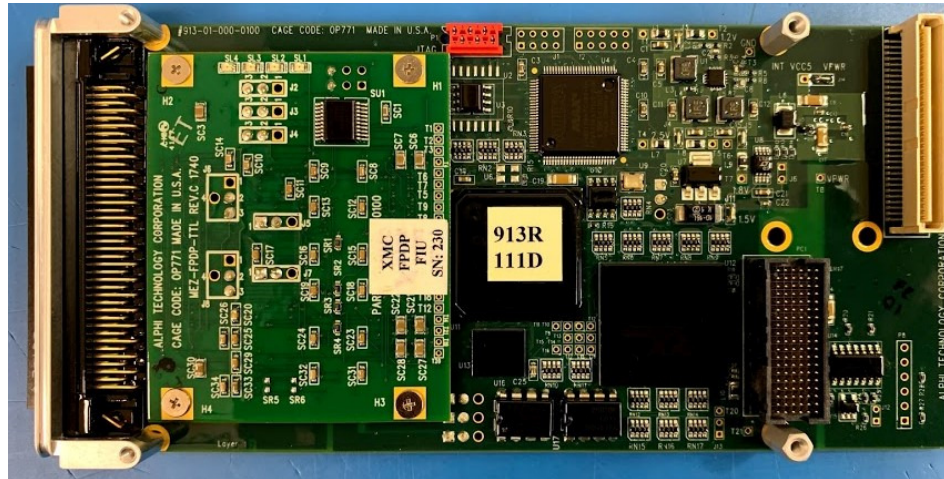


USER RECONFIGURABLE

ALTERA FPGA CYCLONE IV, 64MBYTE DDR, 64LV TTL

Summary

- Cyclone IV EP4C55, 484 -fbga package
- Cyclone IV FPGA allows a wide range of customization options.
- 64 Mbytes DDR
- Separate logic for the XMC Interface
- Reconfigurable I/O
- 64 LVTTTL I/O lines
- Each GPIO line has independent Interrupt Support programmable for Edge trigger
- User configurable IO by groups of 4, 2 pair
- On board Serial configuration device programmable via XMC bus or bit/byte blaster
- Local serial EPROM
- Internal / External clock
- PCIe X 1 Interface
- Front panel I/O access
- Windows, Linux Drivers



XMC-CIVxxi-64LVTTL

Features

- User Programmable Altera Cyclone IV FPGA 484 BGA: EP4CE55, EP4CE75, EP4C155,
- Single wide XMC Module
- 64 LVTTTL
- Optional User clock oscillator

Memory

- 64 Mbyte external DDR
- Dual ported between the Altera and XMC bus with arbitration

I/O Level

- 64 I/O pins externally buffered LVTTTL
- Fully User programmable
- Direction programmed in Group of 4
- Change of state detection & interrupt: generated per Line on Positive or negative Edge
- Bit pattern recognition
- Direct readback of register
- Direct output control
- Pre-programmed output latch with output strobe

CycloneIV Programmable via

- Bit / Byte Blaster
- Serial EPROM
- XMC Bus

XMC interface

- Cyclone IV
- Optional DMA for maximum throughput from the host

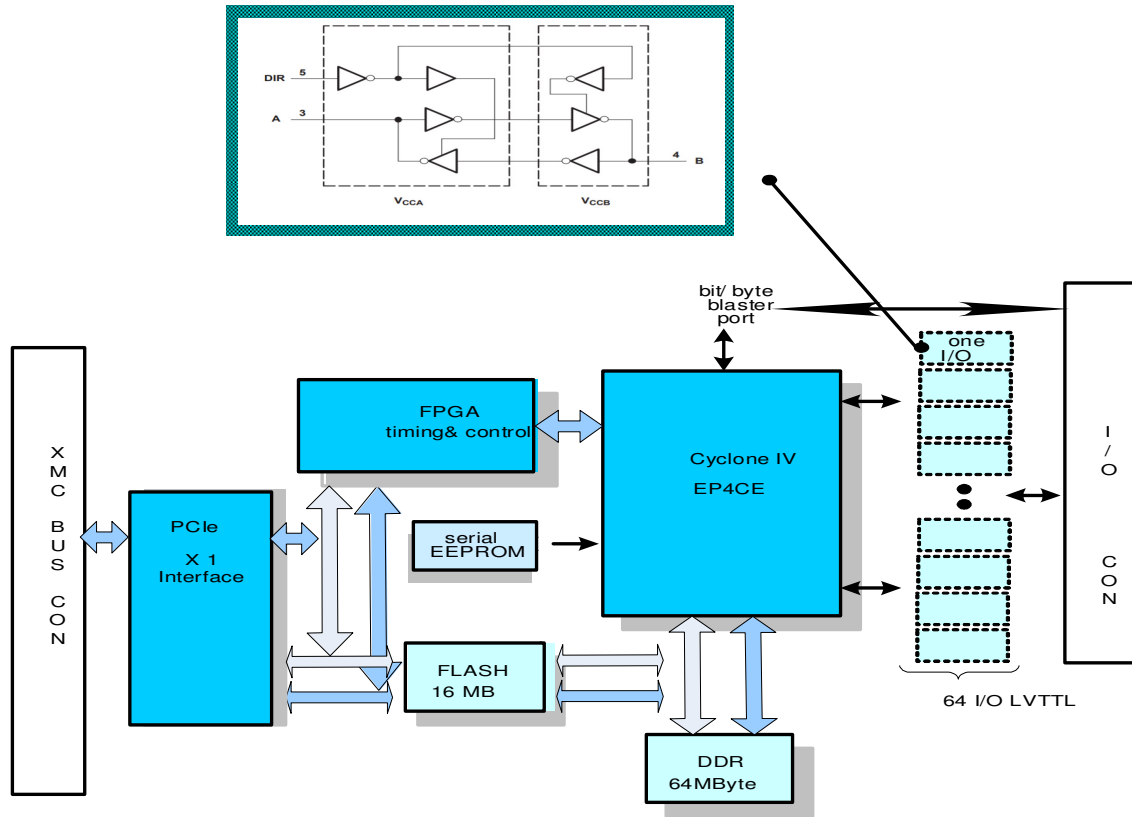
Operating: Environmental

- Operating temperature
Commercial: 0 to +55 °C
Optional: -40°C to +85°C
- Non-operating: -55°C to 95 °C
- Airflow requirement: .5 CFM
- Humidity: 5 to 90% (non-cond.)
- Altitude: 0 to 10'000 ft

Mechanical: Environmental

- Power:
+3.3Volts: TBD
+12/-12Volts: TBD
- Vibration: 0.5G RMS
20-2000 Hz rand
- Shock: 20 G, 11 ms, 1/2 sine
- Weight: 3 oz.
- MTBF: >250000 hours





Functional Block Diagram

Ordering Information

Part Number : XMC-CIV55-64LVTTL ALTERA EP4CE55, 64LVTTL XMC module
 XMC- CIV75-64LVTTL ALTERA EP4CE75, 64LVTTL PMC module
 XMC-CIV115-64LVTTL ALTERA EP4CE115, 64LVTTL PMC module

XMC-CIVxx-64LVTTL-I Same as above with -40 to +85 C

Optional Accessories

Part Number : TB-68-SCSI 68 pin terminal block and 1meter SCSI cable

Part Number : CBL-68-SCSI 68 pin,1meter SCSI

Alphi Technology Corporation

1898 E. Southern Ave.,
 Tempe, Arizona 85282, USA
 Tel: (480) 838 2428
 Fax: (480) 838 4477

834-14-001-4100

For ordering information: sales@alphitech.com Please visit our web site at www.alphitech.com