

Summary

The VME32-IO Module incorporate 16 switched outputs and 16 Channels opto Isolated input channels.

This is the perfect solution for control and monitor of switches and indicators or similar devices.

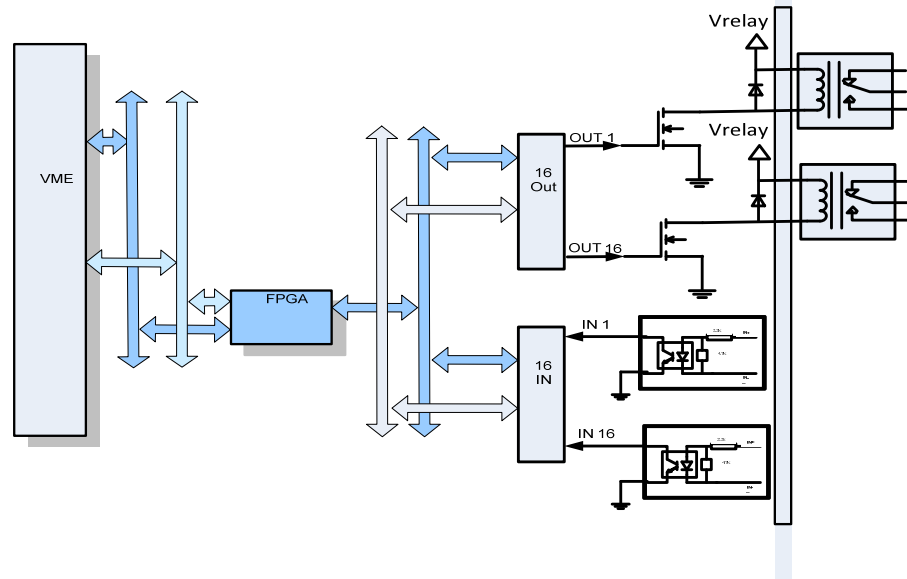
For applications that need to work with a variety of input and output voltages ranging from 0-40 volts, the VME32-IO offers 32 independent channels on the VME bus

Available Drivers :

- Labview
- Linux
- Window XP
- QNX



6U VME MODULE 16 RELAY DRIVER OUTPUT AND 16 HIGH VOLTAGE INPUT



FUNCTIONAL BLOCK DIAGRAM

VME Features:

A32/A24/A16 :D16/D08(E0)
 6U 233 X 160mm

VME INTERFACE:

A32/A24/A16 :D16/D08(E0)
 R/M/W Cycle
 Interrupt : 1-7 software programable

I/O panel connectors:

Front Panel I/O connectors

Mechanical & Environmental

- Operating temp. 0 to +70 °C
- Airflow requirement: 10 CFM
- Humidity: 5 to 90% (non-cond.)
- Vib.: 0.5G RMS 20-2KHz rand
- Shock: 20 G, 11 ms, ½ sine
- MTBF: >172000 hour

Output Specifications:

16 MOSFET Driver
 Drive Capability 2A resistive
 Drive Voltage : 5V to 40 V

Input Specifications:

16 Opto Isolated Input
 input voltage range 5 to 60V
 Software Programmable Change of State detection.
 Rising edge or falling edge per input Channel
 Software Programmable Interrupts on any or all Change of State bit(s)
 Debounce Filter

Ordering Information

VME-32IO

6U VME 32 I/O Channels