

**6U VME MODULE
4 INDUSTRY PACK CARRIER**

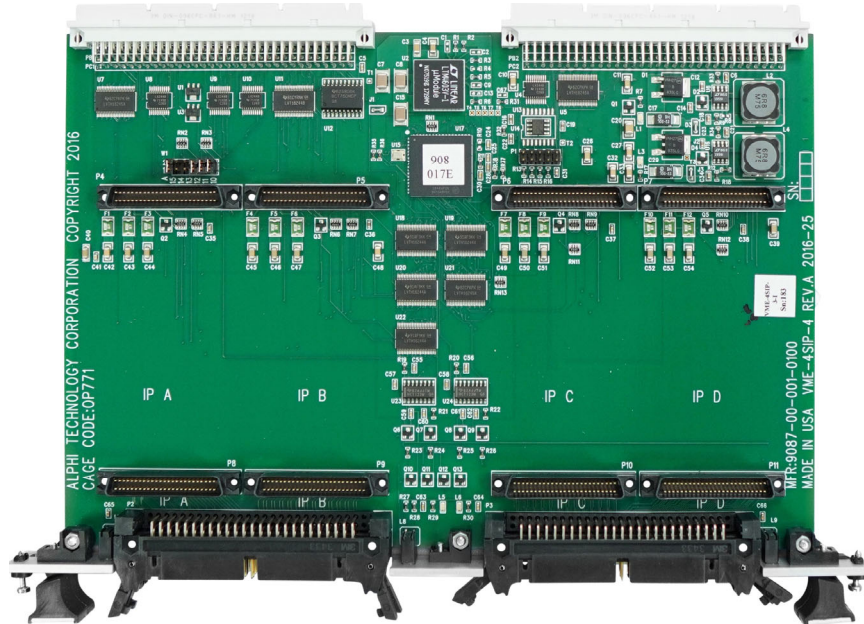
Summary

The new VME-4SIP-3 Module provides a 6U high performance flexible I/O scheme, that supports industry standard Industry Packs. Choose from over a 100 different Industry Packs from Alphi Tech and others .For application requiring low cost, high density I/O or unique combinations, the VME-4SIP is the perfect solution. A total of 200 discrete I/O lines are available.

For a complete list of IndustryPacks offered by Alphi Technology please visit our WEB site at www.alphitech.com

Availible Drivers :

- Labview
- Linux
- Window XP



VME-4SIP

VME Features:

A32/24/16 D16/8
 6U 233 X 160mm

VME INTERFACE:

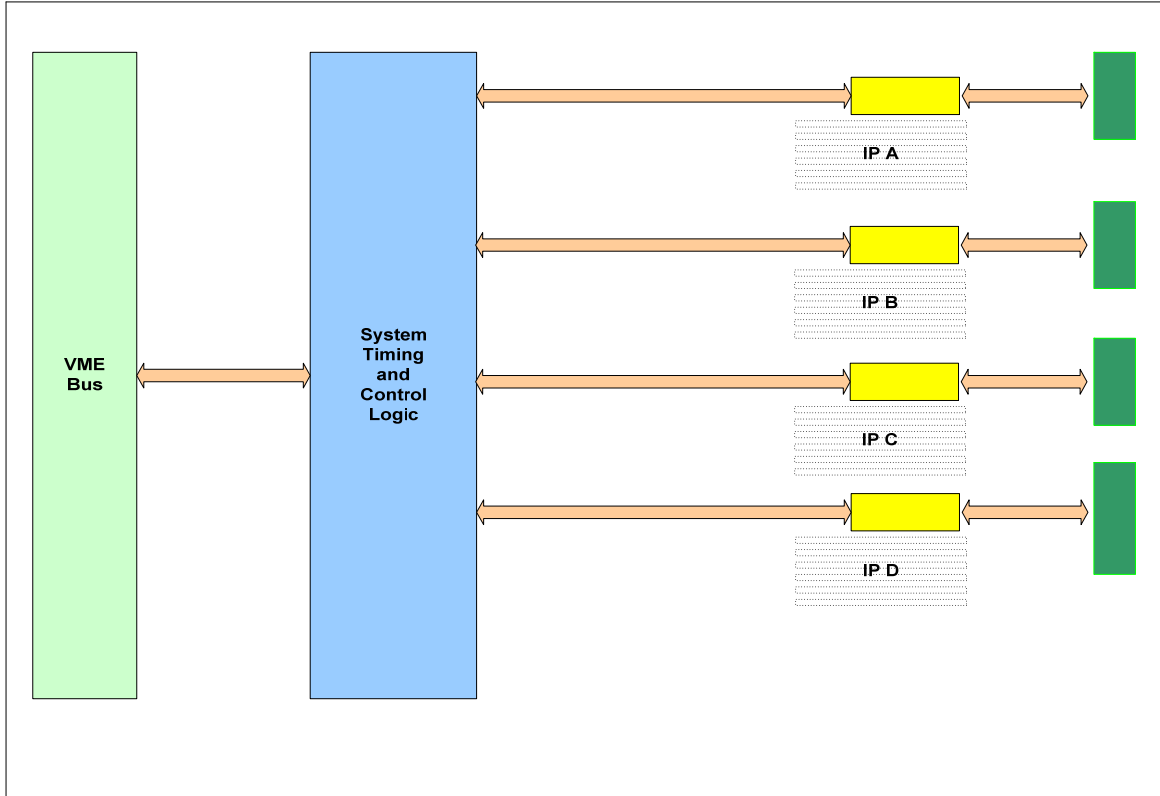
A32/A24/A16 :D16/D08(E0)
 R/M/W Cycle
 Interrupt : 1-7 software programable

I/O panel connectors:

Front Panel I/O connectors
 (4) X 50 IDE Connector

Industry Pack Specifications:

4 Industry Pack Sites
 Supports single /dual widths
 Meets ANSI Vita 4
 8/32 MHz operation
 Support ID, I/O, Int. & mem spaces
 2 Interrupts
 Supports 1 & 8MB addressing
 Hardware self timed per IP module
 Triggered via system reset and software control
 Jumper or software time-out function
 5, +/-12 volt reset-able fuse per IP
 8/16 bit data
 Support Single or Double Size IP Module



Functional Block Diagram

Mechanical & Environmental

- Airflow requirement: 10 CFM
- Humidity: 5 to 90% (non-cond.)
- Altitude: 0 to 10'000 ft
- Full size PCI card
- Front panel I/O
- Power: +5v 1 amp, +12v 1 amp
- Vib.: 0.5G RMS 20-2KHz rand
- Shock: 20 G, 11 ms, ½ sine
- Weight: 1 lbs
- MTBF: >172000 hour

Ordering Information

VME-4SIP-3	6U VME (4) Industry Packs Carrier, Commercial 0 to +70 °C
VME-4SIP-3-I	6U VME (4) Industry Packs Carrier, Industrial Temp -40+85 °C
CBL-50-HDR	50 pin Header cable
TB-50-HDR	Terminal Block

Alphi Technology Corporation

1898 E. Southern Ave.
 Tempe, Arizona 85282, USA
 Tel: (480) 838 2428
 Fax: (480) 838 4477

797-13-000-4100

For ordering information: sales@alphitech.com Please visit our web site at www.alphitech.com

Products mentioned are trademarks or registered trademarks of their respective holders. Alphi Technology believes this information is accurate as of its publication date and is not responsible for any inadvertent errors. The information contained herein is subject to change without notice. Copyright © 2005 Alphi Technology Corp. document number: 718-0-001-4100 rev.p