

Summary

The new VME-4SIP-200 Module provides a 6U high performance flexible I/O scheme, that supports industry standard Industry Packs. Choose from over a 100 different Industry Packs from Alphi Tech and others .For application requiring low cost, high density I/O or unique combinations, the VME-4SIP is the perfect solution. A total of 200 discrete I/O lines are available.

Fully Compatible with Abaco VIP-610 and Tewes TVME200

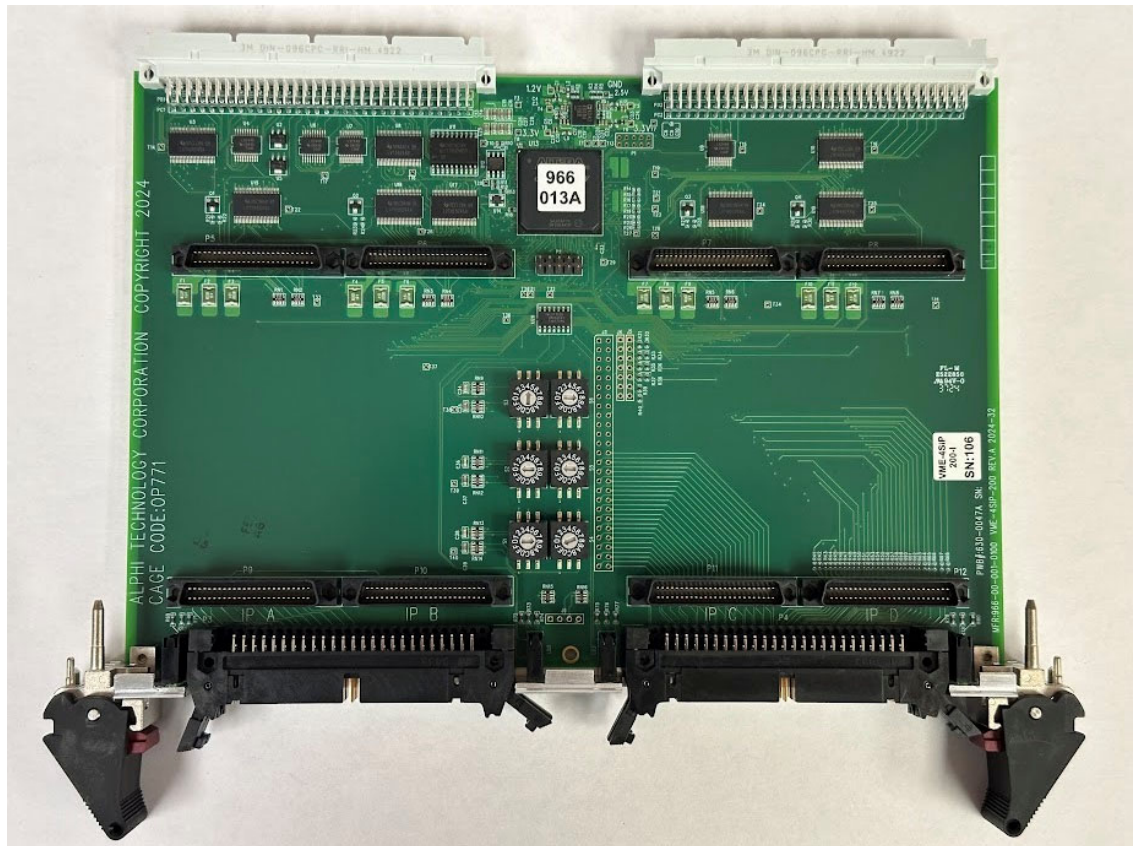
For a complete list of IndustryPacks offered by Alphi Technology please visit our WEB site at www.alphitech.com

Available Drivers :

- Labview
- Linux
- Window XP



**6U VME MODULE
 4 INDUSTRY PACK CARRIER
 FULLY COMPATIBLE WITH VIPC-610 AND TVME200**



VME-4SIP-5

VME Features:

A32/24/16 D16/8
 6U 233 X 160mm

VME INTERFACE:

A32/A24/A16 :D16/D08(E0)
 R/M/W Cycle
 Interrupt : 1-7 software programable

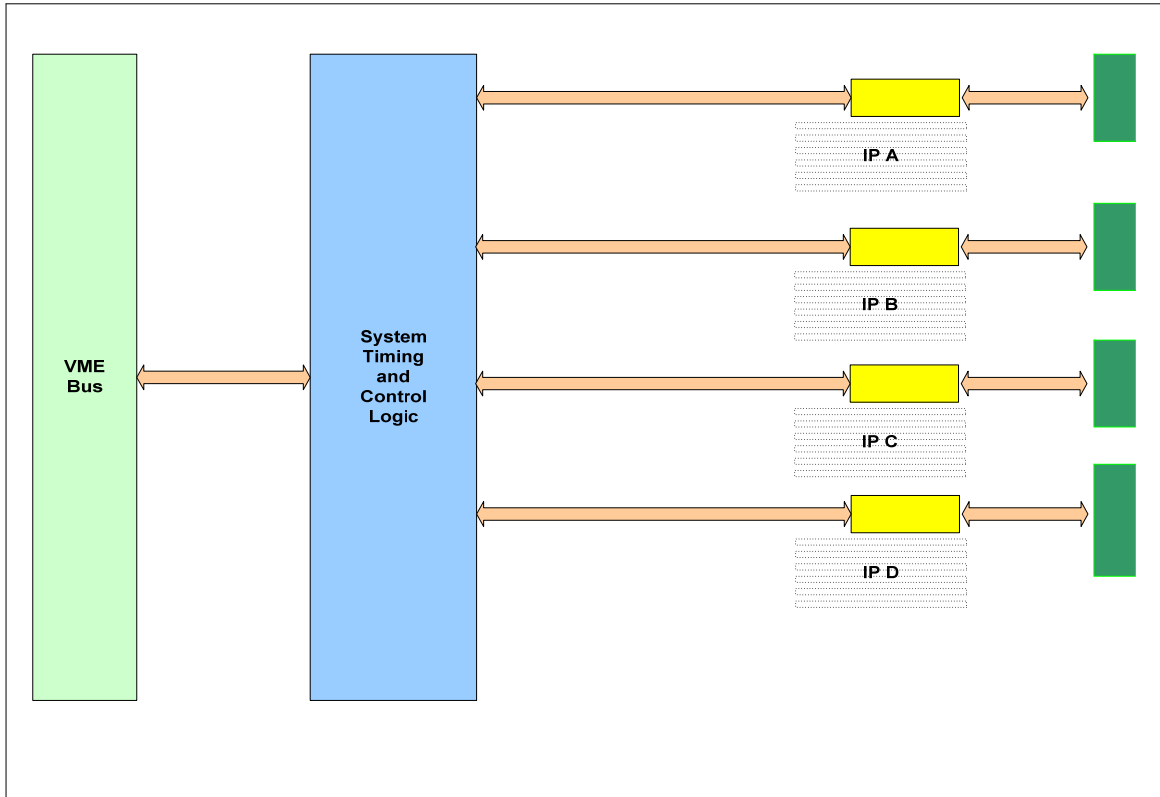
I/O panel connectors:

Front Panel I/O connectors
 (4) X 50 IDC Connector

Industry Pack Specifications:

4 Industry Pack Sites
 Supports single /dual widths
 Meets ANSI Vita 4
 8/32 MHz operation
 Support ID, I/O, Int. & mem spaces
 2 Interrupts
 Supports 1 & 8MB addressing
 Hardware self timed per IP module
 Triggered via system reset and software control
 Jumper or software time-out function
 5, +/-12 volt reset-able fuse per IP
 8/16 bit data

Support Single or Double Size IP Module



Functional Block Diagram

Mechanical & Environmental

- Airflow requirement: 10 CFM
- Humidity: 5 to 90% (non-cond.)
- Altitude: 0 to 10'000 ft
- Full size PCI card
- Front panel I/O
- Power: +5v 1 amp, +12v 1 amp
- Vib.: 0.5G RMS 20-2KHz rand
- Shock: 20 G, 11 ms, 1/2 sine
- Weight: 1 lbs
- MTBF: >172000 hour

Ordering Information

VME-4SIP-200	6U VME (4) Industry Packs Carrier, Commercial 0 to +70 °C
VME-4SIP-200-I	6U VME (4) Industry Packs Carrier, Industrial Temp -40+85 °C
CBL-50-HDR	50 pin Header cable
TB-50-HDR	Terminal Block

797-13-000-4100

Alphi Technology Corporation
 1898 E. Southern Ave.
 Tempe, Arizona 85282, USA
 Tel: (480) 838 2428
 Fax: (480) 838 4477

For ordering information: sales@alphitech.com Please visit our web site at www.alphitech.com