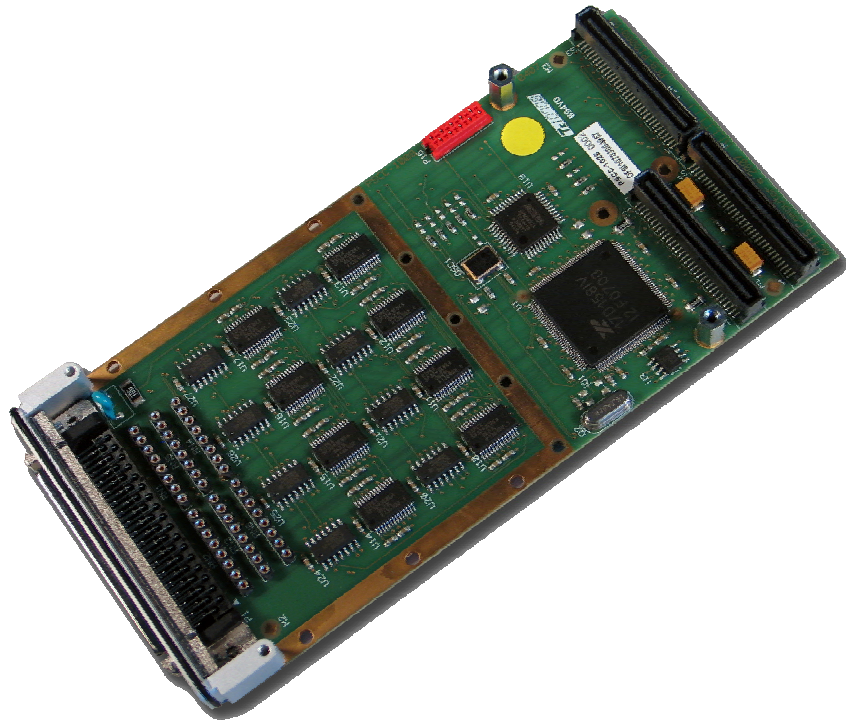


Features

- 8-channel UART
- RS-232 and RS-422/485 software programmable interfaces
- IEEE 1386.1-2001 PMC module
- 32-bit @ 33MHz PCI interface
- 3.3 V and 5 V PCI signaling
- Up to 6.25 Mbps data rate @ RS-422/485
- Up to 250 kbps data rate @ RS-232
- Half and full duplex modes support
- Conduction cooling compatible
- Industrial temperature range -40/+85 °C



PSCC-1028 is an octal asynchronous serial communication controller based on a PMC form factor.

PCI features

The PSCC-1028 module is compatible with the PCI specification 2.3 and run on 32-bit bus size at 33 MHz frequency. Both 3.3 and 5 V PCI signaling modes are supported and offer compatibility with a wide range of carrier boards. Data transfer operations can be formatted in 8-bit, 16-bit, 24-bit or 32-bit wide.

Octal UART

The PSCC-1028 provides 8 enhanced 16550 UARTs with the PCI Bus interface

Integrated FIFO

Each UART has its own 64 Byte of transmit and receive FIFO, a set of 16550 compatible control and status registers, and a baud rate generator for individual channel data rate setting.

Line Interface

The PSCC-1028 PMC module supports both RS-232 and RS-422/485 line interfaces. The selection is software programmable with half and full duplex modes support.

I/O connection

All channels are on front panel (SCSI-3 type 68-pin connector) and on rear I/O P4 connector.

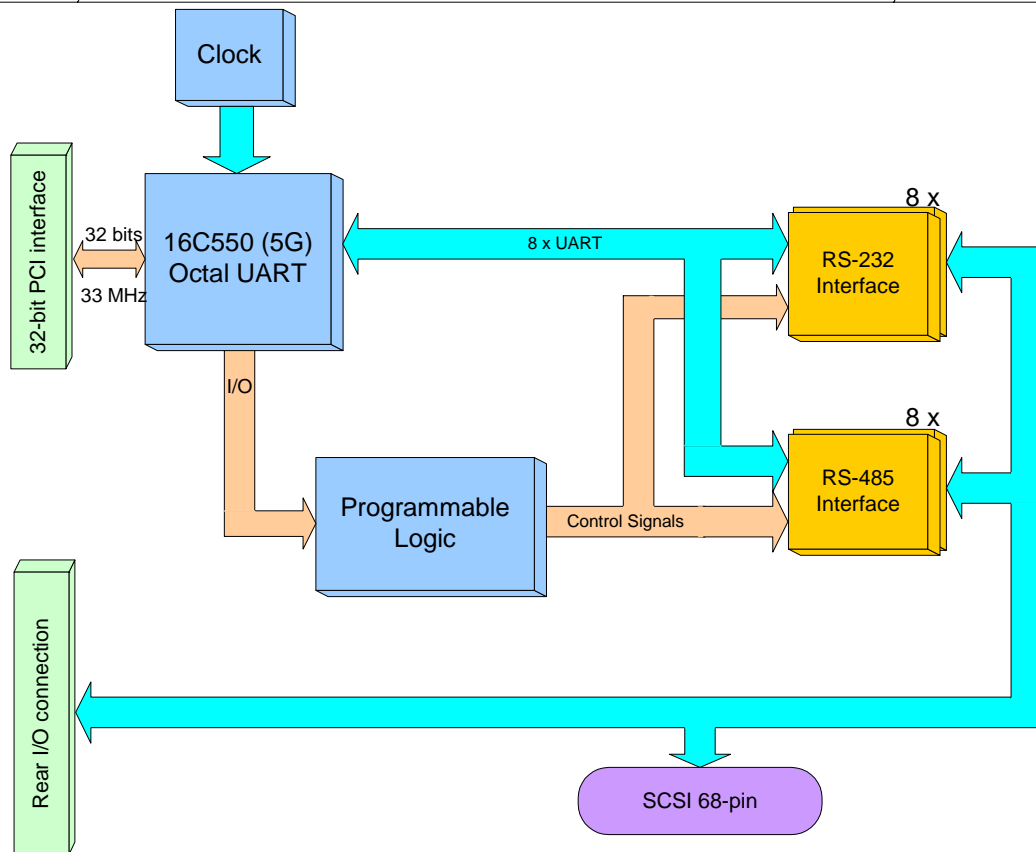
Alternative versions

The Serial Communication Controller module is available in several configurations:

- PSCC-1008 Octal RS-422/485 UART
- PSCC-1008E Octal isolated RS-422/485 UART
- PSCC-1018 Octal RS-232 UART
- PSCC-1018E Octal isolated RS-232 UART
- PSCC-1028 Octal RS-232 & RS-422/485 UART

Software

The PSCC-1028 can run on major real-time operating systems and with the open-source Linux™ or VxWorks operating systems.



Octal UART

- 16C550 compatible 5G register set UART
- Integrated receive and transmit FIFO+central FIFO

Line interface

- RS-232 and RS-422/485 software programmable interface
- Up to 6.25 Mbps data rate (RS422/485)
- Up to 250 kbps data rate (RS232)
- Up to 256 RS-485 transmitters bus topology
- Full and half duplex modes support

PCI Interface

- 32-bit/33 MHz interface
- PCI revision 2.3 compliant
- 3.3 V and 5 V environment support

I/O connection

- Serial communication I/Os available on SCSI-3 68-pin front panel connector and P4 mezzanine rear I/O connector
- On-board RS-422/RS-485 network terminations

Environmental

Operating	-40 to 85 °C
Storage	-65 to 125 °C
Airflow requirement	0 CFM
Relative Humidity	0 to 90 % (non-cond.)
Altitude	0 to 3000 m (10'000 ft)

Mechanical

Dimensions	149 x 74 mm
Power	TBD
Vibration	0.5 G/Hz 0-2000 Hz random
Shock	20 G, 11 ms, ½ sine

ACTIS Computer Inc.
6202 South Maple Ave., Suite 120
TEMPE, AZ 85283, USA
Tel: (480) 838 1799
Fax: (480) 838 4477
sales-usa@actis-computer.com

ACTIS Computer SA
19 ch. Du Champ-des-Filles
CH - 1228 Plan-Les-Ouates, Switzerland
Tel: +41 (22) 706 1830
Fax: +41 (22) 794 4391
sales-europe@actis-computer.com

Distributed by:

For ordering information, please visit our web site at www.actis-computer.com