

Summary

The PMC-SCC04-IO module is a Quad Channel serial communication controller with 64 Byte Fifo per line. The PMC-SCC04-IO is based on the XR17D154. The device support auto-configuration registers for plug-and-play installation. This module provide 4 Asynchronous ports up to 6.125MBps . Each UART has its own 16C550 compatible set of configuration registers, transmit and receive FIFOs of 64 bytes, fully programmable transmit and receive FIFO level trigger levels, transmit and receive FIFO level counters, automatic RTS/CTS or DTR/DSR hardware flow control with programmable hysteresis levels, automatic software (Xon/Xoff) flow control, IrDA (Infrared Data Association) encoder/decoder, 8 multi-purpose inputs/outputs and a 16-bit general purpose timer/counter. Each channel has a High Input Impedance with ESD protection and Logic Selectable 120 Ohm termination resistor. Also it provides 16 RS-422 I/O lines individually programmable as Input or output with termination resistor software programmable.

Quad Serial Communication Interface with 64-Byte FiFO Programmable RS-232, RS-422/485 16 Discrete RS-422 I/O Lines



PMC-SCC04-IO

Features

- Individual programmable Quad RS-232,RS-422/485
- Programmable 16 Discrete RS-422 Transceiver with Interrupt support.
- Edge selection support: positive and or Negative
- Global Interrupt Signal Register
- Each UART compatible 16C550 with 64-byte TX and RX FIFOs
- Automatic RTS/CTS Hardware Flow Control
- Automatic RS485 Direction Control Output with Selectable turn-around delay
- Up to 6.125 MBps Data Rate
- Integrated, Logic-Selectable 120Ω Termination Resistor
- No Damage or Latchup to ESD: ±15kV HBM
- High Input Impedance Supports 256 Nodes

Applications

- Process Control and Industrial Automation
- Precision Instrumentation
- Direct Digital Waveform Generation

PMC Interface

- PCI Bus Target revision 2.2 Signaling Compliant
- VIO 3.3/5.0 Volts
- 32 Bit, 33 MHz
- Interrupts
- DMA

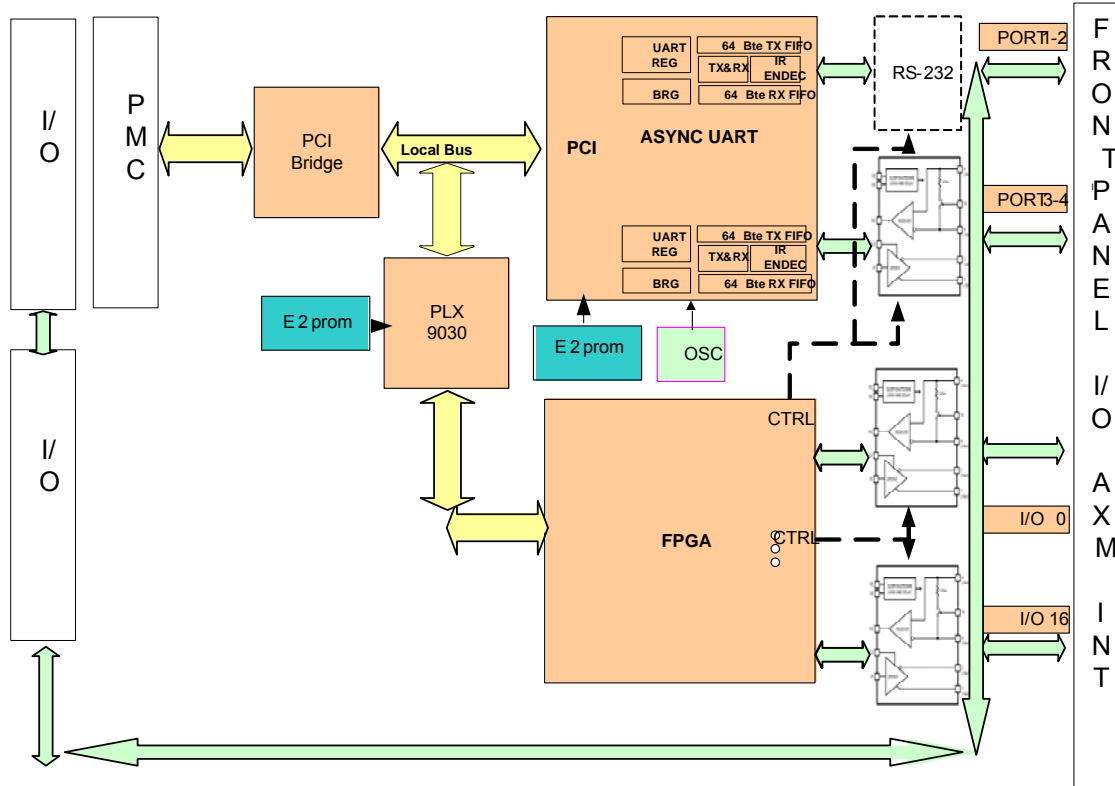
Operating: Environmental

- Operating temperature
 Commercial: 0 to +70 °C
 Optional: -40°C to +85°C
- Airflow requirement: .5 CFM
- Humidity: 5 to 90% (non-cond.)
- Altitude: 0 to 30'000 ft

Mechanical: Environmental

- Size: Single wide PMC
 2.92" x 5.87"
- Power: 1.5 watt
- Front panel I/O
- Vibration: 0.5G RMS
 20-2000 Hz rand
- Shock: 20 G, 11 ms, ½ sine
- Weight: tbd

- MTBF: >250000 hours



ORDERING INFORMATION

Part Number: PMC-SCC04-IO-XX-RIO	4 Channel RS-422/485, 16 I/O RS-422 Lines With Rear I/O only.
PMC-SCC04-IO-XX-FP	4 Channel RS-422/485, 16 I/O RS-422 Lines With Front and Rear only.
	XX Desired Oscillator Frequency Option
PMC-SCC04-IO-XX-YY -I	Same as above with -40 to +85 C

Optional Accessories

Part Number : TB-68-SCSI	68 pin terminal block and 1meter flat ribbon cable
CBL-68-SCSI	68 pin, 1 meter flat ribbon cable, IDC header connector

Alphi Technology Corporation

1898 E. Southern Ave.
 Tempe, Arizona 85282, USA
 Tel: (480) 838 2428
 Fax: (480) 838 4477

For ordering information: sales@alphitech.com Please visit our web site at www.alphitech.com