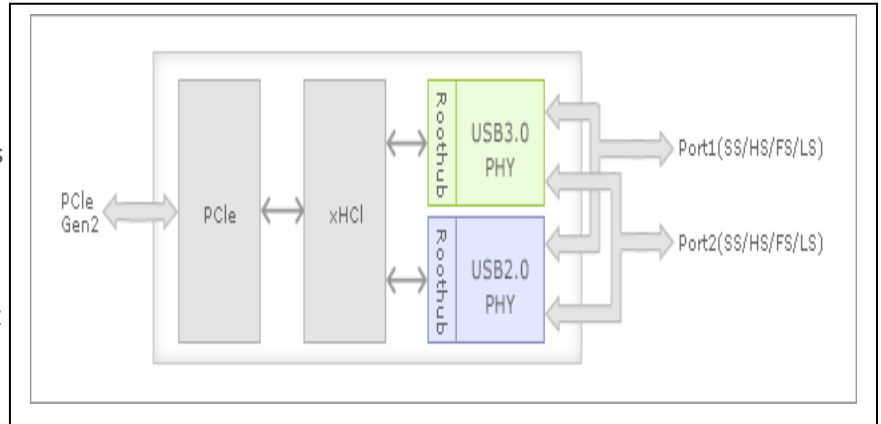


PCie-Mini-USB 3.0 USB 3.0 Controller

Features

USB3.0:

- Add 2 External USB 3.0 to System
- Fully compliant with USB 3.0 spec.
- Connection bandwidth up to 5Gbps
- Fully compatible with USB2.0 and 1.1 Devices
- Optionally provides up to 900mA per USB port
- Installs easily in any PCie-Mini slot
- Fully compatible with PCI Express 2.0 and Intel xHCI rev0.96 specifications
- Support control/Bulk/Interrupt/Isochronous USB Transfer modes



Block Diagram and Operational Overview

The **PCie-Mini-USB3.0** board is engineered around the uPD720200A hub controller from RENESAS. The uPD720200 is a 2-Port Universal Serial Bus 3.0 hub controller, which complies with Universal Serial Bus 3.0 Specification and is 100% compatible with Renesas industry standard host controllers. The controller provides four downstream USB ports. Each of these ports supports is fully backwards compatible with all previous versions of USB, LS(low-Speed)/FS (full-Speed/ HS (high-Speed)/ SS (Super-Speed) operation.

Applications

This board is optimally suited for :

- Avionics equipment
- Avionic data communication systems
- Medical systems
- Industrial controls
- Others
- *USB Storage Device, Network Attached Storage (NAS)*

Mechanical: Environmental:

- Size – Mini PCIe Module
30 mm x 50.95mm
- Power – T.B.D.
- Front panel I/O
- Vibration – 0.5G, 20-2000 Hz rand
- Shock – 20G, 11 msec, ½ sine
- Weight – tbd
- MTBF – >250,000 hours

Operating Environment:

- Operating temperature
Industrial: -40 °C to +85 °C
- Non-operating: -60 °C to +120 °C
- Humidity – 5 to 90% (non-cond)
- Altitude – 0 to 10,000 feet

Software Support:

- Windows
- Linux

Ordering Information:

Part number: PCie-Mini-USB3.0: USB 3.0 interface on Mini PCIe
 Industrial Temp: -40 to +85 C

