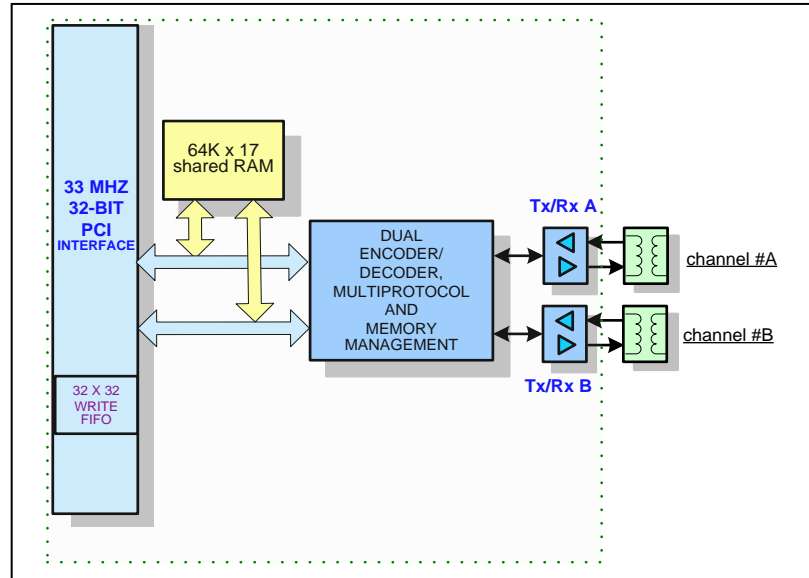


## - Mini PCI Type IIIB - 1553 Controller -

### Features

- Controller of dual redundant (A/B channel) 1553 communications
- 32-Bit/33MHz PCI Interface
- DDC Chip BU-65864
- Programmable bus controller, remote terminal, or monitor terminal modes
- Multiprotocol Support :
  - MIL-STD-1553A/B
  - STANAG 3838
  - MIL-STD-1760
  - MacAir
- +3.3V Operation and Logic
- Long or short stub support
- Low power consumption
- On-chip transceivers
- Selectable 10,12,16 or 20 MHz Systems Clocks



### Block Diagram Overview

The ALPHI MPCI-1553-DDC uses the BU-65864 communication device as its 1553 bus controller, or remote terminal, or monitor terminal. A single controller has two redundant channels and built in transceivers. The controller has internal transceivers for both channel A and B. The Mini PCI board has on-board transformers for both channels. The board format is a Mini PCI board layout.

MPCI-1553-DDC- Block Diagram

#### Available Software Drivers:

- C library dll's
- Linux drivers
- Window XP drivers
- VxWorks drivers

#### Applications:

This is a perfect solution for a wide array of 1553 communication applications such as:

- Industrial and Military
- Test equipment supporting evaluation, simulation
- Monitoring, and analysis,
- Operational equipment such as avionics, space Satellite systems, aircraft onboard systems,
- Commercial systems
- Many others

**Operating Environment:**

- Operating temperature  
Industrial: -40 °C to +85 °C
- Non-operating: -50 °C to +105 °C
- Airflow requirement – 5 CFM

**Mechanical Environment:**

- Size – Mini PCI Type III Module  
44.6mm x 59.8mm
- Power – T.B.D.
- Front panel I/O
- Vibration – 0.5G, 20-2000 Hz rand

**Ordering Information**

MPCI-1553-DDC - Mini PCI Type IIIB - 1553 Controller with DDC chip BU 65864  
 MPCI-1553-DDC-1 - Mini PCI Type IIIB - 1553 Controller with DDC chip BU 65864. SSFLAG Set

**Optional Accessories**

CBL-1553-PicoBlade – 1553 Interface Cable

