

Summary

- MIL-STD-1553
- Options:
 - 0 to +70 degrees
 - 25 to +80 degrees
 - Conformal coating
- 128 Kbyte SRAM
- BC / RT / M modes
- Separate logic for the PMC interface
- (2) Dual Redundant Channel 1 (A+B)
Channel 2 (A+B)
- Selectable Internal / external CLK
- 78 ohm X-formers
- Long / short stub
- 5.0v or 3.3v VIO
- Low power
- LED Status
- Available Software
 - 'C' libs
 - Windows
 - Linux
 - VxWorks
- 33 Mhz PMC clock
- PICMG compliant



DUAL UTMC 1553 SUMMIT CONTROLLER BUS CONTROLLER, REMOTE TERMINAL, BUS MONITOR MODES



PMC-1553-PLX

Features

- 1 or 2 UTMC SUMMIT
- UT69151DX-GPC
- BC / RT / BM
- On-chip Transceivers
- On-board Transformers
- Long stub / Short stub

Memory

- 1 or 2 banks 128Kbytes Sram

Programmable via

- PMC Bus

PMC interface

- PLX-9080
- VIO 3.3 & 5.0 volt
- 33 Mhz
- 32 bit Addr. Data
- Interrupts
- DMA

I/O

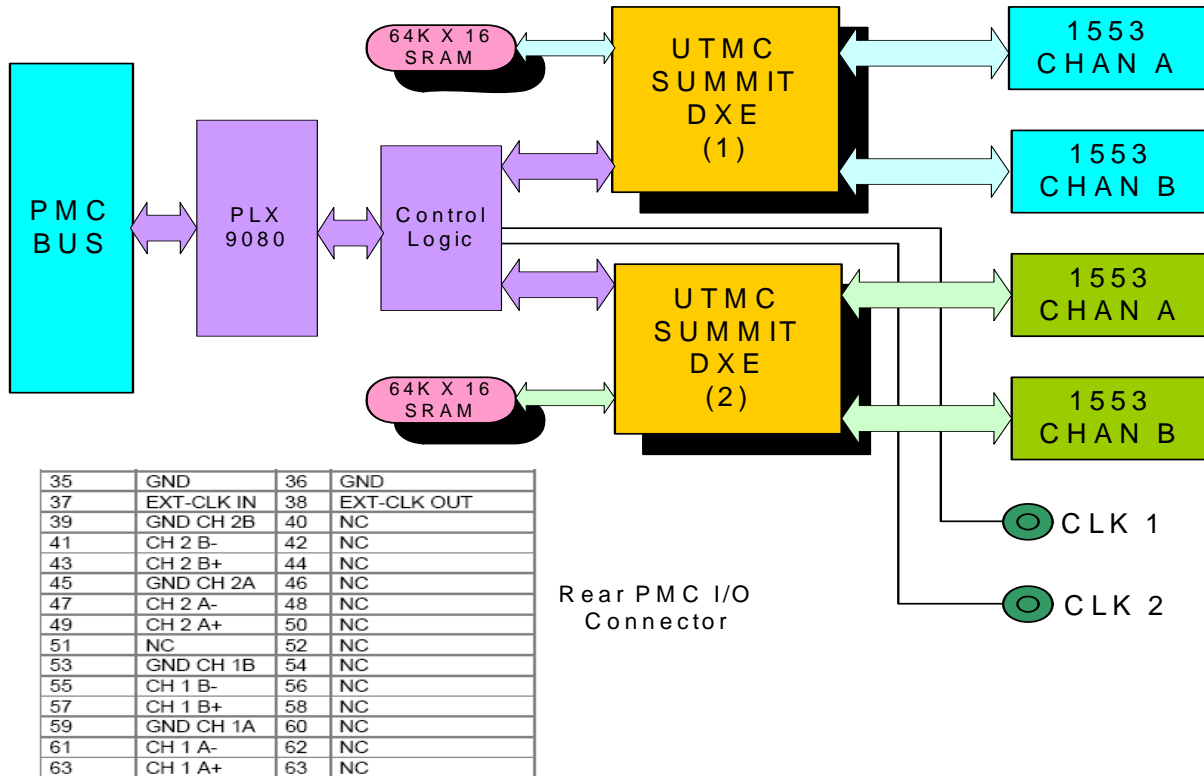
- 1553 bus levels
- TTL (5v) clock
- Front panel or rear I/O

Operating: Environmental

- Operating temperature
 - Commercial: 0 to +70 °C
 - Optional: -25°C to +80°C
- Non-operating: -40°C to 85 °C
- Airflow requirement: .5 CFM
- Humidity: 5 to 90% (non-cond.)
- Altitude: 0 to 10'000 ft

Mechanical: Environmental

- Size: Single wide PMC
 - 2.92" x 5.87"
- Power: 1.5 watt
- Front panel I/O
- Vibration: 0.5G RMS
 - 20-2000 Hz rand
- Shock: 20 G, 11 ms, ½ sine
- Weight: tbd
- MTBF: >250000 hours



Functional Block Diagram

Ordering Information

Part Number : PMC-1553-PLX-1 (1) MIL-1553, BC/RT/M, UTMC SUMMIT
 Part Number : PMC-1553-PLX-2 (2) MIL-1553, BC/RT/M, UTMC SUMMIT
 Part Number : PMC-1553-PLX-(x)-I Same as above with -40 to +85 temperature rating

Optional Accessories

Part Number : EngKit-1553-micro 2 T's, 2 Terminators, 1 16 inch cables
 Part Number : CBL-1553-micro Standard-Standard 16 inch 1553 cable

Alphi Technology Corporation
 6202 South Maple Ave, Suite 120
 Tempe, Arizona 85283, USA
 Tel: (480) 838 2428
 Fax: (480) 838 4477

For ordering information: sales@alphitech.com Please visit our web site at www.alphitech.com