

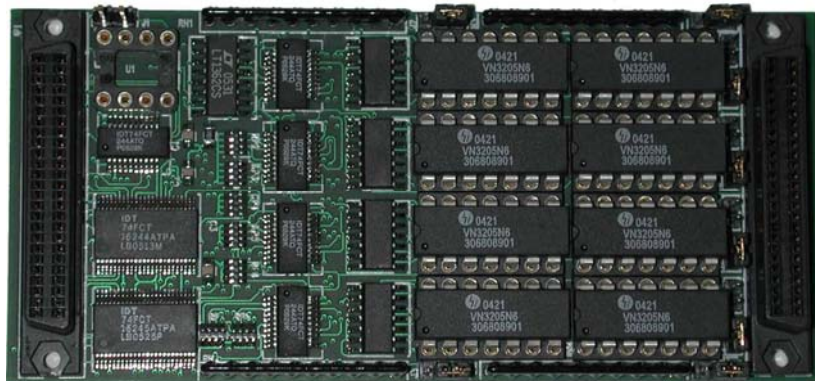
## Summary

The IP-DIO32 is the perfect solution for control and monitor of switches and indicators or similar devices. For applications that need to work with a variety of input and output voltages ranging from 0-30 volts, the IP-DIO32 offers 32 channels on a single wide industry pack. The IP-DIO32 can be programmed as input / output in groups of 8 and internal or external voltages are user settable by jumpers.

- Single wide Industry Pack module
- Programmable via IP bus
- 8/32 Mhz IP clock support
- Vita 4 compliant



## Digital Input / Output Industry Pack 32 Channel I/O, variable threshold, variable voltage



IP-DIO32

### Features

- Up to 32 I/O pins programmable by groups of 8
- Direct read-back outputs
- Open drain VMOS that can sink up to 100mA at voltage up to 40V.
- Very low Ron (0.3Ω)
- Threshold source can be internal or external selected by jumpers
- Change of state detection can generate IP Interrupt
- Integrated Altera logic

### I/O Level

- Wide input range from 0V to 30V
- Pull –Up resistor with +5v internal or variable external reference jumper selected
- Hysteresis on each channel
- Variable threshold can be changed by R. network

### Programmable via

- IP Bus

### IP interface

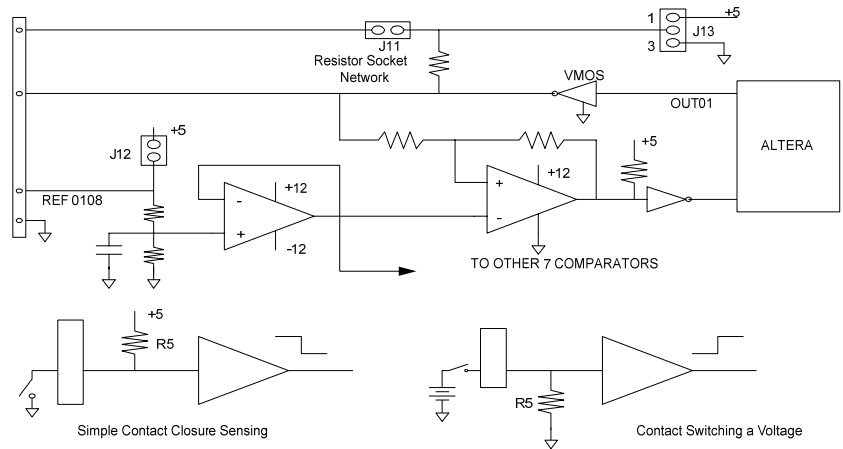
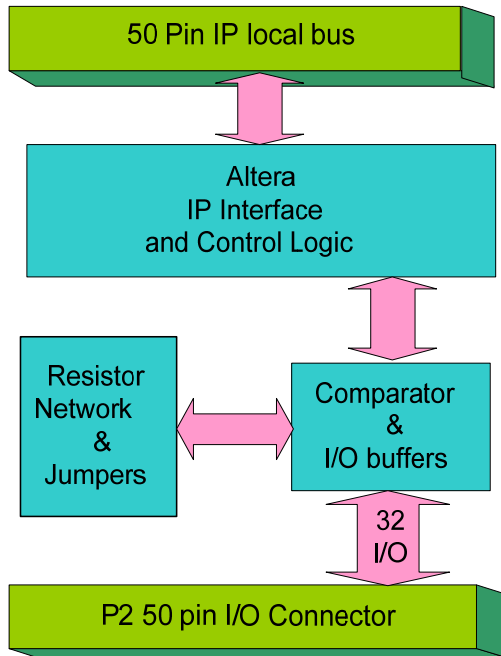
- 8/32 Mhz clock
- 16 bit data
- Interrupts

### Operating: Environmental

- Operating temperature  
 Commercial: 0 to +55 °C  
 Optional: -25°C to +80°C
- Non-operating: -40°C to 85 °C
- Airflow requirement: .5 CFM
- Humidity: 5 to 90% (non-cond.)
- Altitude: 0 to 10'000 ft

### Mechanical: Environmental

- Size: Vita 4 Type 1 IP  
 1.8" x 3.9"
- Power: up to 3.5 watt
- Vibration: 0.5G RMS  
 20-2000 Hz rand
- Shock: 20 G, 11 ms, ½ sine
- Weight: tbd
- MTBF: >250000 hours



Functional Block Diagram

### ORDERING INFORMATION

Part Number:	IP-DIO32	32 ch. programmable digital I/O
	IP-DIO32-I	-40 to +85 C

### Optional Accessories

Part Number :	TB-50-HDR	50 pin terminal block and 1meter flat ribbon cable
	CBL-50-HDR	50 pin, 1meter flat ribbon cable, IDC header connector

**Alphi Technology Corporation**  
 6202 South Maple Ave, Suite 120  
 Tempe, Arizona 85283, USA  
 Tel: (480) 838 2428  
 Fax: (480) 838 4477

For ordering information: [sales@alphitech.com](mailto:sales@alphitech.com) Please visit our web site at [www.alphitech.com](http://www.alphitech.com)