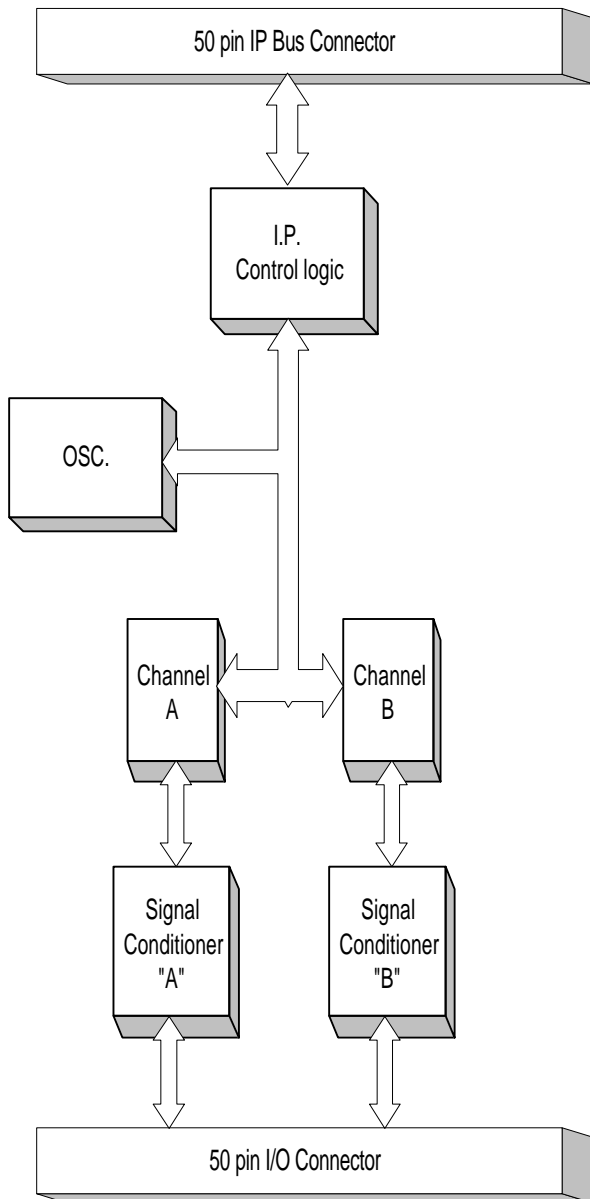


## Dual Channel 16 bit Synchro / Resolver Industry Pack Module

ATC-Synchro  
Functional Block Diagram



### FEATURE SUMMARY

- Single-size IP module (type I).
- Compatible with the ANSI/VITA-4 1995 specification.
- Resolver/Synchro to digital converters inputs.
- Resolution at 10, 12, 14 and up to 16-bit.
- Tracking up to 1152 rps.
- For channel A and B you have 2 RDC :
- Direct input for 2V resolver Differential
- Synchro input (predefined : 11.8V or 90V)
- Memorization for simultaneous reading of converters.
- Vectored interrupts for channel A and B:
- Position matches
- Converter error conditions
- On board synthesized reference.
- User-define excitation voltage (2.2, 2.5, 4, 4.4 Vrms)
- Optional extended temperature -40 +85

### OVERVIEW

The ATC-SYNCH IP module of ALPHI TECHNOLOGY is a dual Resolver/Synchro to Digital Converter (RDC) compatible with the VITA -4 specification. This module work with two independently RDC. All RDC channels have three different input configurations (direct, differential, (resolver) or synchro). The tracking rate and bandwidth are user defined when ordered.

### ORDERING INFORMATION

p/n: ATC-Synchro Dual channel Synchro/Resolver

© Copyright 2001 by ALPHI TECHNOLOGY  
6202 South Maple Ave., Suite 120 Tempe, Arizona 85283  
PHONE (480) 838-2428 FAX (480) 838-4477 [www.alphitech.com](http://www.alphitech.com)