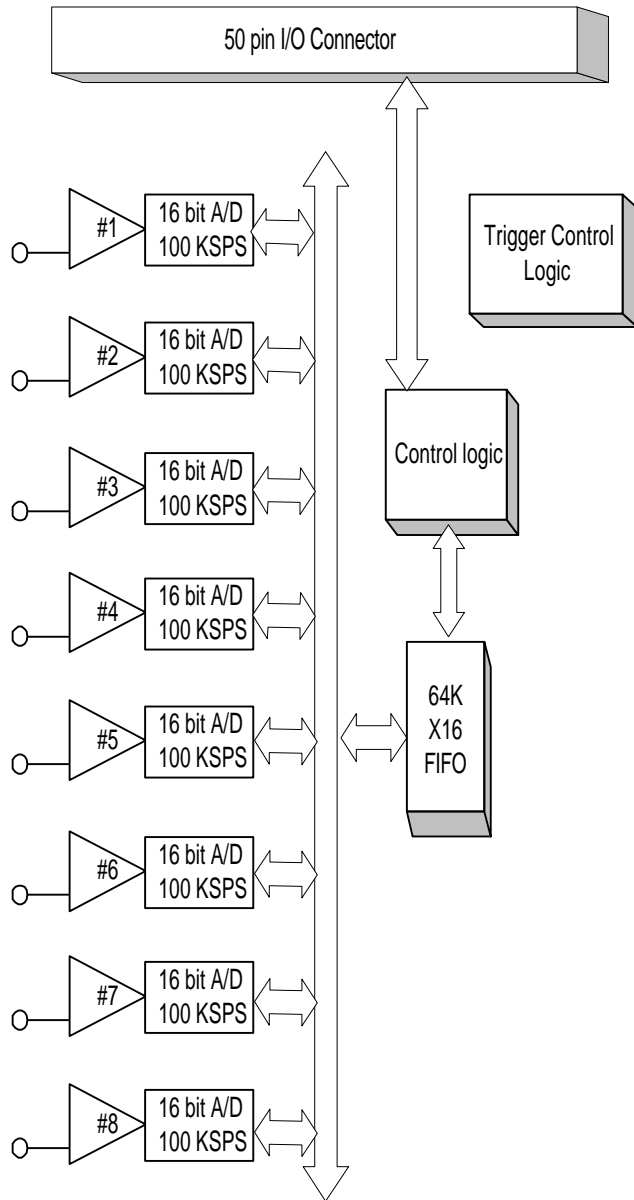


## Octal 100K A/D Industry Pack

### 8 channel, 16 bit, Simultaneous Sampling

ATC-AD8100K  
Functional Block Diagram



#### FEATURE SUMMARY

- Octal 16 bit channels,
- 100 KSPS per channel (8) LTC 1605 ADC's
- Simultaneous Sampling
- +/-10 volt single ended input
- Buffered input
- 64K byte FIFO IDT 72285
- External or Internal triggers
- Instrumentation amplifier per channel
- Over-voltage protection
- 0 to +70
- Humidity 5 to 95 non-condensing
- Software examples included
- VITA 4 32 Mhz interface
- Single wide Industry Pack

#### OVERVIEW

The ATC-AD8100 is an extremely high performance Analog to digital converter on a single wide Industry Pack. The ATC-AD8100 offer eight 16 bit 100KSPS ADC's that simultaneously samples the data. There is a 64k FIFO so that there is no latency of the data being transferred across the Industry Pack bus. Also there are operational amplifiers on each channel working as a front end buffer.

#### ORDERING INFORMATION

p/n: ATC-AD8100 8 channel 100 KHZ A/D

© Copyright 2001 by ALPHI TECHNOLOGY  
6202 South Maple Ave., Suite 120 Tempe, Arizona 85283  
PHONE (480) 838-2428 FAX (480) 838-4477 [www.alphitech.com](http://www.alphitech.com)