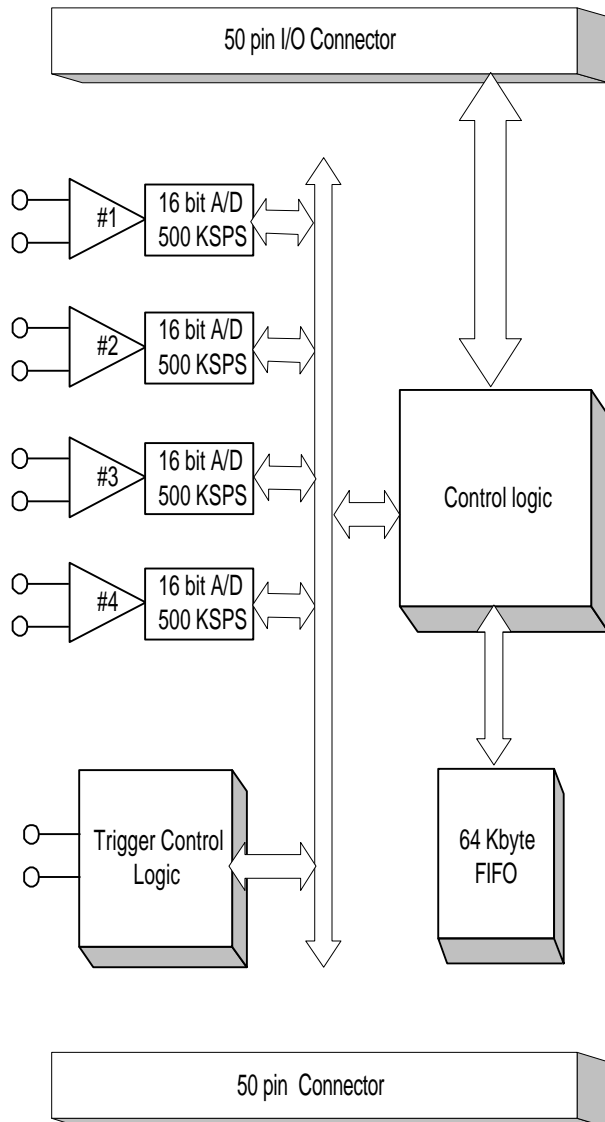


## Quad 500K A/D Industry Pack

### 4 channel, 16 bit, Simultaneous Sampling

ATC-AD4500  
Functional Block Diagram

#### FEATURE SUMMARY



- Four 16 bit channels
- 500 KSPS per channel (4) AD7665 ADC
- Simultaneous Sampling
- +- 2.5, +-5, +-10 volt bi-polar input
- 0-2.5, 0-5, 0-10 volt uni-polar input
- External or Internal trig.
- 64K byte FIFO IDT 72285
- Instrumentation buffer per channel
- Over-voltage protection
- 0 to +70 standard, optional extended temp.
- Humidity 5 to 95 non-condensing
- Software examples included
- VITA 4 8/32 Mhz interface
- Single wide Industry Pack

#### OVERVIEW

The ATC-AD4500 is an extremely high performance Analog to digital converter on a single wide Industry Pack. The ATC-AD4500 offer four 16 bit 500KSPS ADC's that simultaneously samples the data. There is a 16k FIFO so that there is no latency of the data being transferred across the Industry Pack bus. Also there are operational amplifiers on each channel working as a front end buffer.

#### ORDERING INFORMATION

p/n: ATC-AD4500 4 channel 500 KHZ A/D

© Copyright 2002 by ALPHI TECHNOLOGY  
6202 South Maple Ave., Suite 120 Tempe, Arizona 85283  
PHONE (480) 838-2428 FAX (480) 838-4477 www.alphitech.com