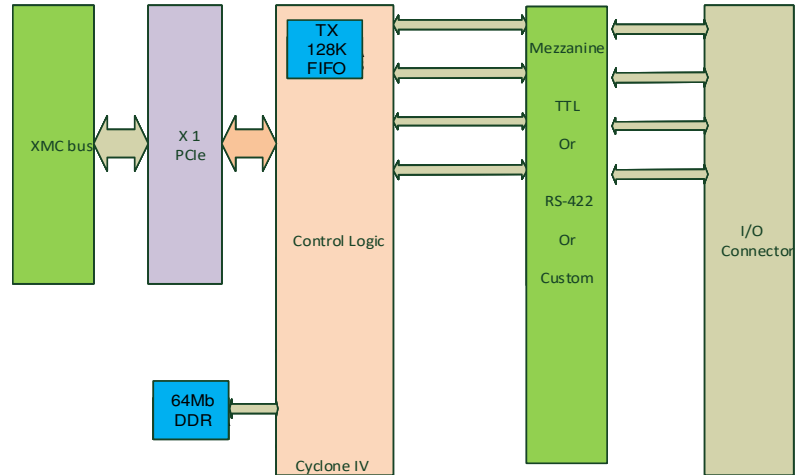


## Summary

- ANSI/VITA 17-1997 Front Panel Data Port standard.
- TTL and RS-422
- VITA 42 compliant
- 1 Lane PCIe express
- Options
  - Conformal coating
- 128 Kbyte Deep FIFO
- DMA Support
- All Bytes Swap
- Programmable Clock
- Selectable Internal / external CLK
- Up to 160Mb/s
- Advance Synchronization control
- Available Software
  - 'C' libs
  - Windows
  - Linux



## FPDP DIGITAL PARALLEL I/O XMC BOARD



XMC-FPD

### Programmable via

- XMC Bus VITA 42
- 3.3V I/O, 5V tolerant bus interfaces
- Local Bus Clock rates at 66MHz
- Compliant PCIe Specification, r1.0a x1
- Direct slave data transfers
- DMA Capability
- Up to 160Mb/s Transfer
- DMA Transfer per Fifo Level

### Features Front-End Processing

- ANSI/VITA 17-1997 Front Panel Data Port standard.
- Flexible Packing options 1x32, 2x16 or 3x 10bits
- Advance Synchronization control features
- Programmable Clock Generator
- Mezzanine Options Interface TTL, RS-422 and Custom
- 32 Bits Parallel I/O

### Features Fifo

- 128 KBytes deep Fifo per Module (TX / RX)
- Data Transfer by On-Board DMA or PCIe Master
- PCIe Interrupt on Fifo Level

### Operating: Environmental

- Operating temperature Industrial: -40°C to +85°C
- Airflow requirement: .5 CFM
- Humidity: 5 to 90% (non-cond.)
- Altitude: 0 to 20'000 ft

### Non-Operating:

- Non-Operating temperature -55°C to +105°

### Mechanical: Environmental

- Size: Single wide XMC 2.92" x 5.87"
- Power: 1.5 watt
- Front panel I/O
- Vibration: 0.5G RMS 20-2000 Hz rand
- Shock: 20 G, 11 ms, 1/2 sine
- Weight: tbd
- MTBF: >250000 hours

## Ordering Information

Part Number : XMC-FPDP-FIU-128-I	XMC FPDP,TTL Input Module, 128K Receive Fifo, Industrial
Part Number : XMC-FPDP-FOU-128-I	XMC FPDP,TTL Output Module, 128K Transmit Fifo, Industrial
Part Number : XMC-FPDP-DIU-128-I	XMC FPDP,RS-422 Input Module, 128K Receive Fifo, Industrial
Part Number : XMC-FPDP-DOU-128-I	XMC FPDP, RS-422 Output Module, 128K Transmit Fifo, Industrial

-cc Acrylic Conformal Coat

## Optional Accessories

---

823-01-000-4100

**Alphi Technology Corporation**  
1898 E. Southern Ave.  
Tempe, Arizona 85282, USA  
Tel: (480) 838 2428  
Fax: (480) 838 4477

For ordering information: [sales@alphitech.com](mailto:sales@alphitech.com) Please visit our web site at [www.alphitech.com](http://www.alphitech.com)