

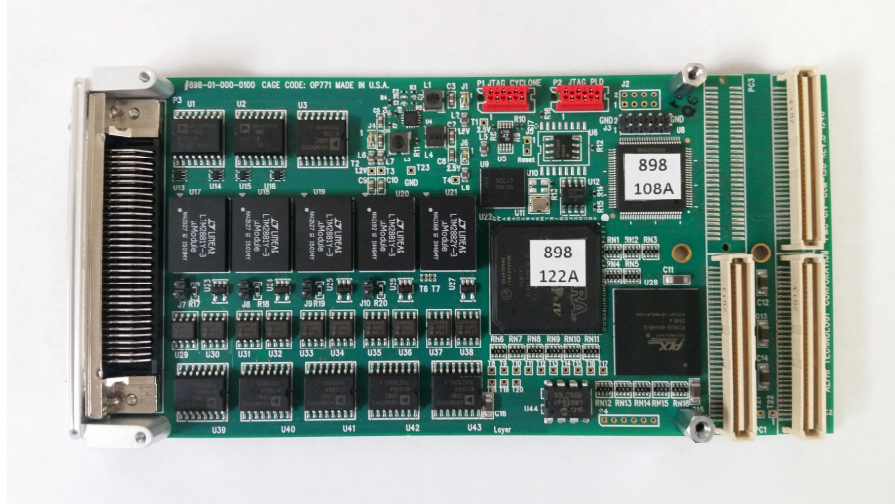
Summary

- Cyclone IV EP4CE30 484-fbga package
- Cyclone IV FPGA allows a wide range of customization options.
- 4 Mbyte SRAM
- SRAM is dual ported
- Separate logic for the IP interface
- Reconfigurable I/O
- 32 LVDS ISOLATED I/O lines
Up to 155Mbps
- Each GPIO line has independent Interrupt Support programmable for Edge trigger
- User configurable IO
- On board Serial configuration device programmable via PMC bus or bit/byte blaster
- Local serial EPROM
- Internal / External clock
- PCI +3.3V/+5V Operation and Logic
- 32/64 Mhz PMC clock support
- Front panel I/O access
- Windows, Linux and VxWorks Drivers



USER RECONFIGURABLE ISOLATED COMMUNICATION I/O 20 LVDS, 4 RS-422 AND 1 RS-232

ALTERA FPGA, 4MBYTE DUAL-PORTED SRAM,



PMC-CIV-COM-ISO

Features

- User Programmable Altera Cyclone IV FPGA 484 BGA:
- Stand alone possibility
- Single wide PMC Module
- 20 LVDS, 2 RS-422, 1 RS-232
- Optional User clock oscillator

Memory

- 4 Mbyte external SRAM
- Dual ported between the Altera and PMC bus with arbitration

I/O Level

- 20 I/O pins buffered LVDS
- 4 RS-422
- 1 RS-232
- Fully User programmable
- Direction programmed
- Change of state detection & interrupt: generated per Line on Positive or negative Edge
- Bit pattern recognition
- Direct readback of register
- Direct output control
- Pre-programmed output latch with output strobe

Cyclone IV Programmable via

- Bit / Byte Blaster
- Serial EPROM

PMC interface

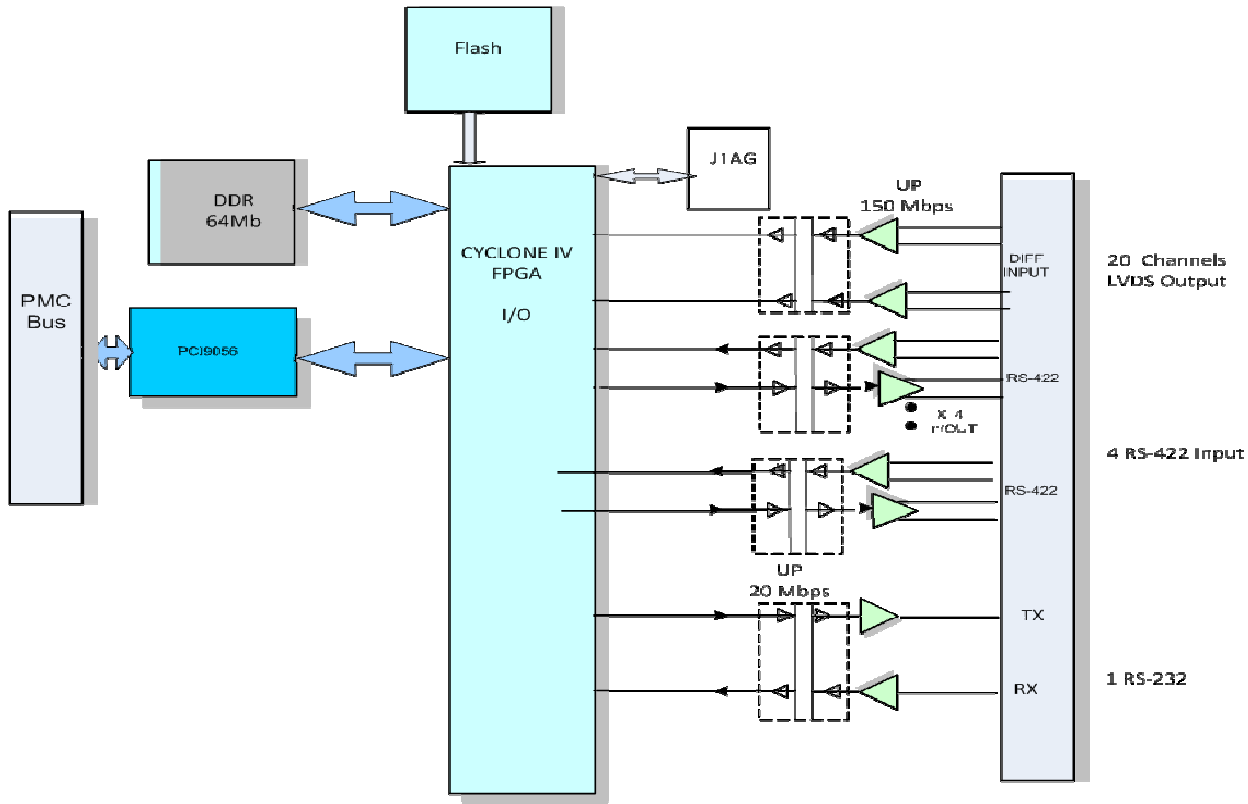
- PLX 9056- VIO 3.3/5.0 Volts
- 32 Bit, 33/66 MHz
- DMA for maximum throughput from the host

Operating: Environmental

- Operating temperature
Commercial: 0 to +55 °C
Optional: -40°C to +85°C
- Non-operating: -55°C to 95 °C
- Airflow requirement: .5 CFM
- Humidity: 5 to 90% (non-cond.)
- Altitude: 0 to 10'000 ft

Mechanical: Environmental

- Power: +5Volts :6µa
+3.3Volts: 180ma
+12/-12Volts: 0ma
- Vibration: 0.5G RMS
20-2000 Hz rand
- Shock: 20 G, 11 ms, 1/2 sine
- Weight: 3 oz.
- MTBF: >250000 hours



Block Diagram

Ordering Information

Part Number : PMC-CIV-COM-ISO ALTERA EP4C30, PMC module
 PMC-CIV-COM-ISO -I Same as above with -40 to +85 C

Optional Accessories

Part Number : TB-68-SCSI 68 pin terminal block and 1meter SCSI cable
 Part Number : CBL-68-SCSI 68 pin, 1meter SCSI

Alphi Technology Corporation

1898 E. Southern Ave.,
 Tempe, Arizona 85282, USA
 Tel: (480) 838 2428
 Fax: (480) 838 4477

894-14-001-4100

For ordering information: sales@alphitech.com Please visit our web site at www.alphitech.com

Products mentioned are trademarks or registered trademarks of their respective holders. Alphi Technology believes this information is accurate as of its publication date and is not responsible for any inadvertent errors. The information contained herein is subject to change without notice. Copyright © 2005 Alphi Technology Corp. document number: 805-0-001-4100 rev.p