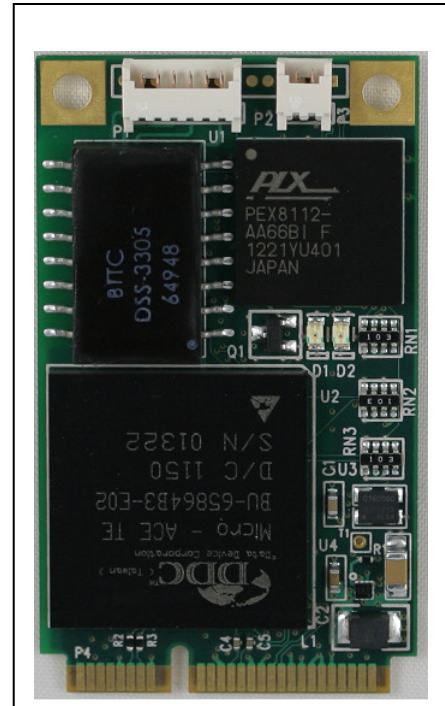


**PCIe-Mini– One Channel Dual Redundant
 1553 Controller Multiple RT**

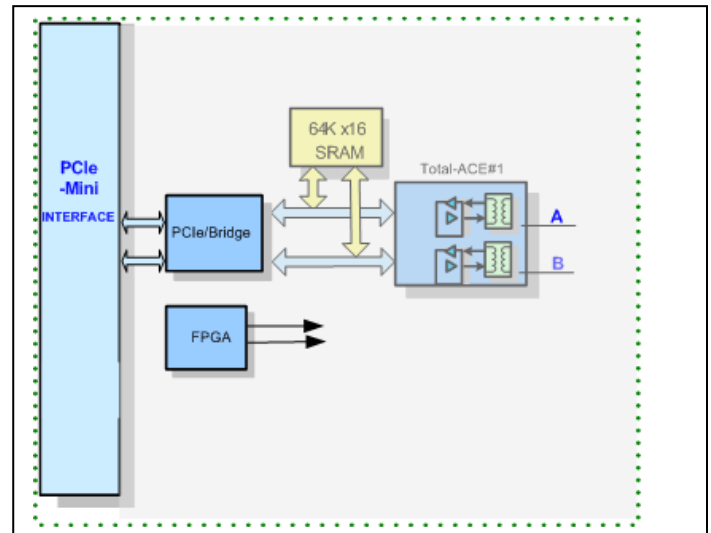
Features

- Controller of dual redundant (A/B channel) 1553 communications
- PCIexpress x1 Lane Interface
- DDC 1553 E
- SRAM 64KX16
- Programmable bus controller, remote terminal, or monitor terminal modes
- Multiprotocol Support of MIL-STD01553A/B Notice 2 and STANAG 3838
- +3.3V Operation and Logic
- On-chip transceivers/transformer
- Selectable 10,12,16 or 20 MHz Systems Clocks



Block Diagram Overview

The ALPHI PCIe-Mini-1553 uses the Total-Ace communication device as its 1553 bus controller, or remote terminal, or monitor terminal. A single controller has a Dual redundant channel with built in transceivers and transformer. The controller has internal transceivers for both channel A and B. The PCIe-Mini-1553 board has on-Chip transformers. The board format is a PCIexpress Mini board layout.



Available Software Drivers:

- C library dll's
- Linux drivers
- Window XP drivers
- VxWorks drivers

Applications:

This is a perfect solution for a wide array of 1553 Communication applications such as:

- Industrial and Military
- Test equipment supporting evaluation, simulation
- Monitoring, and analysis,
- Operational equipment such as avionics, space Satellite systems, aircraft onboard systems,
- Commercial systems
- Many others

Ordering Information

PCIe-Mini1553 - PCIe- Mini - 1553 Controller with DDC Total-ACE
 option I same as above with -40 °C to +85 °C temperature rating