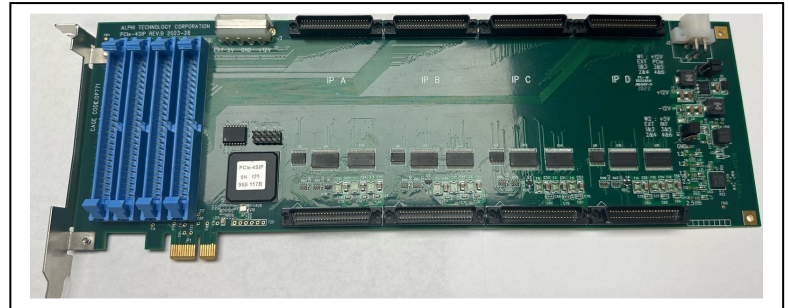


**PCIe Slave 4 Industry Pack Carrier  
 With 4 IDC Connector**

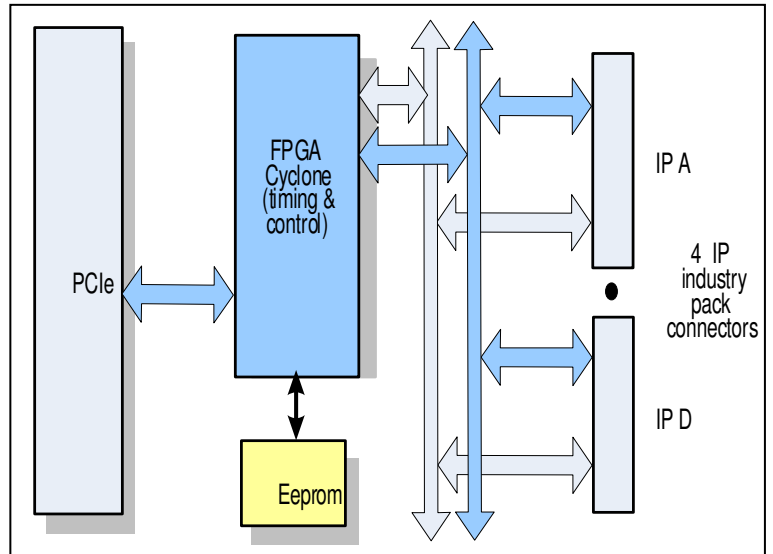
**Features**

- Slave 4 industry pack carrier
- PCI Express x1 Lane
- PCIe Specification, r1.0a
- Full Size format factor
- DMA engines support, to offload from local processors the overhead tasks involved in moving data from one side of the bridge to the other
- Support for up to Four IP modules
- 8 MHz or 32 MHz IP operation  
 Software programmable
- Supports double-wide form factor Industry Pack
- Full interrupt support of host
- Front panel IDC I/O



**Block Diagram Overview**

The PCIe-4SIP is a PCIexpress bus Full Size form factor IP carrier. The PCIe-4SIP provides mechanical support and the electrical interfaces for Four single width IP modules. Multiple PCIe-4SIP boards may be installed in a single system.



**Available Software Drivers:**

- Labview
- Linux
- Window XP
- QNX
- VxWorks

**Applications:**

For application requiring low cost, high density I/O or unique I/O combinations, the PCIe-4SIP is the perfect solution.

For a complete list of Industry Packs offered by Alphi Technology please visit our WEB site at [www.alphitech.com](http://www.alphitech.com)

**Industry Pack Specifications:**

- Meets ANSI/VITA 4-1995
- 8/32 MHz synchronous operation
- Supports ID, 128 byte I/O, interrupt. & 8 Mbyte memory spaces
- 2 Interrupts per module
- Two passive DMA channels are possible.
- Hardware self timed per IP module
- Triggered via system reset and software control
- software time-out function
- 5, +/-12 volt resettable fuse per IP
- 8/16 bit data

**PCIe Bus Features:**

- Compliant PCIe Specification, r1.0a
- PCIMG 1.x
- Multiple DMA operational modes
- Direct master data transfers
- Direct slave data transfers

**IP Interface Features:**

- 4 x 50 pins IDC Connector on Front Panel

**Operating Environment:**

- Operating temperature  
 Commercial: 0 to +70 °C  
 Industrial: -40to +85 °C
- Non-operating: -45 °C to +125 °C
- Airflow requirement – 5 CFM
- Humidity – 5 to 90% (non-cond)
- Altitude – 0 to 10,000 feet

**Mechanical: Environmental:**

- Size – PCIe module full form factor  
 111mm x 170mm
- Power – 1.5 watt
- Front panel I/O and optional back panel connectors
- Vibration – 0.5G, 20-2000 Hz rand
- Shock – 20G, 11 msec, ½ sine
- Weight – tbd
- MTBF – >250,000 hours
- Power:  
 +3.3 Volts (±10%): <=Tbd,  
 +5 Volts (±5%):<= Tbd,
- ±12 Volts provided to each IP module.



<b>Ordering Information</b>	
Commercial: 0 to +70 °C	
PCIe-4SIP	4 Slot Industry Pack PCIe Slave Carrier
<b>Industrial: -40to +85 °C</b>	
<b>Same as the above with -I</b>	
PCIe-4SIP-I	4 Slot Industry Pack PCIe Slave Carrier
<b>Optional Accessories</b>	
CBL-50-HDR	50 pin header cable- IDC Header to IDC Header Connector
TB-50-HDR	Terminal block