

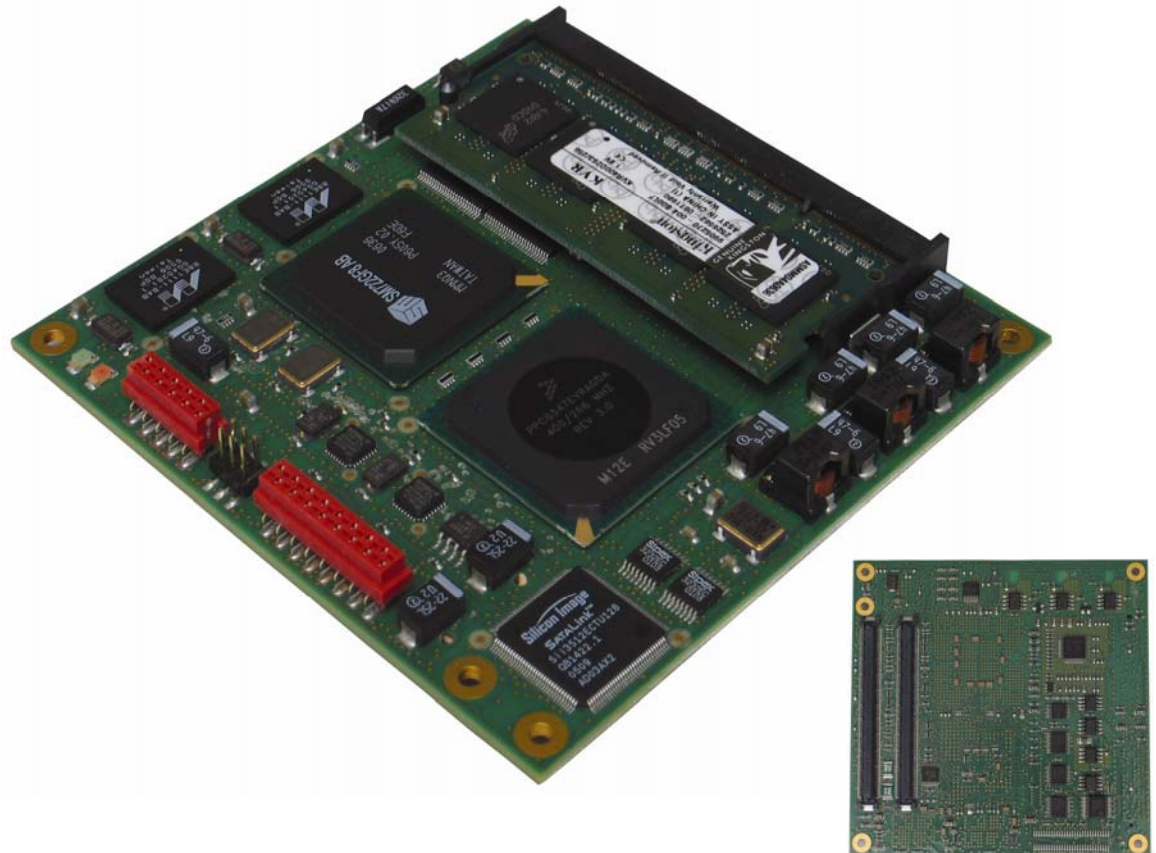
Features

- PowerQUICC II Pro MPC8347E 400 MHz
- 32-bit, 33/66MHz PCI
- Up to 2GB DDR2 SDRAM on SO-DIMM socket
- Up to 1GB NAND Flash *
- 8MB Boot Flash
- 8kB NVRAM
- Two S-ATA ports
- 2D/3D graphic accelerator *
- Two Gigabit Ethernet ports
- Two USB 2.0 Full-Speed ports
- Eight TTL GPIOs
- Real Time Clock
- Watchdog
- Temperature sensor

* ordering option



COM 
Express



XCOM-9347 is a highly integrated solution specially designed to meet PICMG COM.0 standard requirements. It features a low-power high-performance PowerPC processor in COM Express Compact (microETXexpress) form factor, only 95x95 mm

Processor

Freescale's MPC8347E PowerQUICC II Pro processor integrates the enhanced e300 PowerPC core, DDR2 memory, Gigabit Ethernet, PCI, dual USB 2.0 Full-Speed port, Floating Point Unit and integrated Security Engine. This processor is rated at 756 MIPS @ 400 MHz.

Security Engine

The on-chip Security Engine (H/W Encryption) is designed to off-load computationally intensive security functions, such as key generation and exchange, authentication and bulk encryption from the processor core.

Network and serial ports

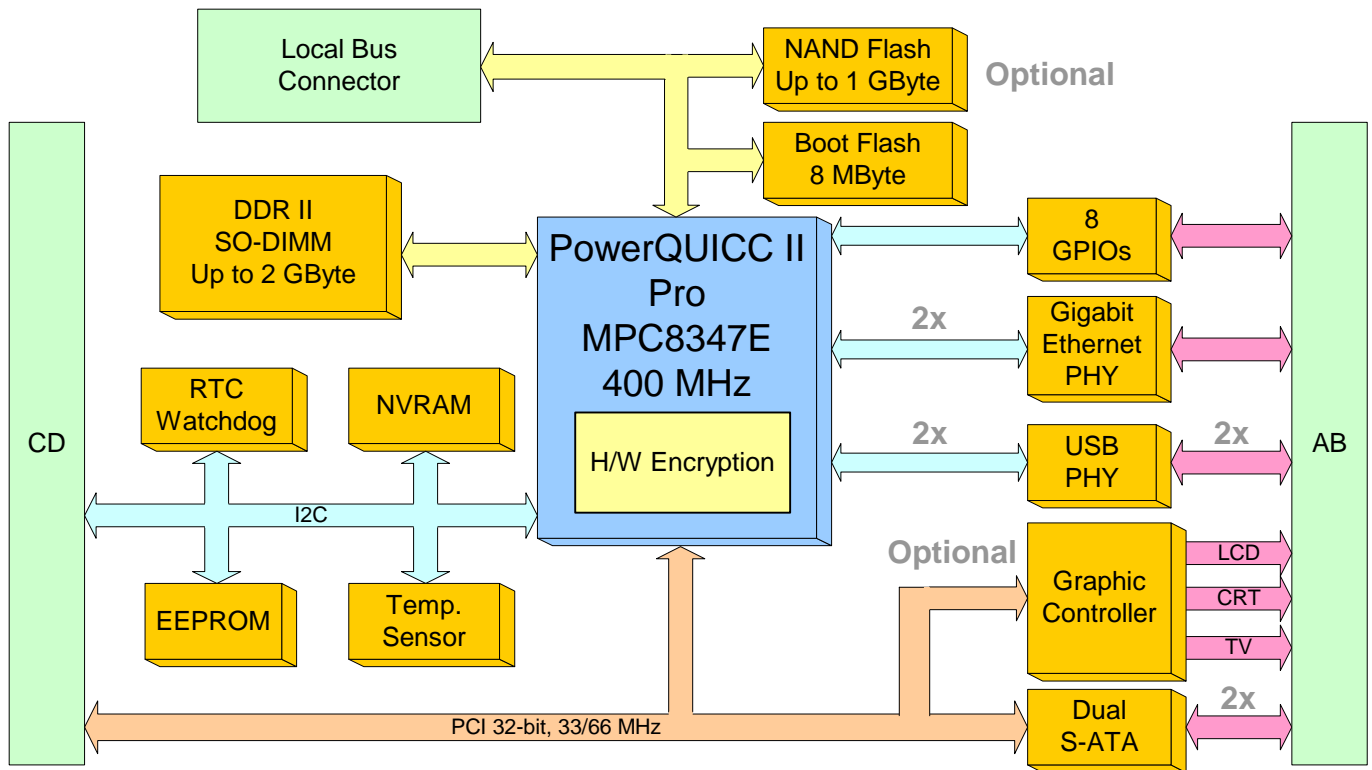
The XCOM-9347 offers a variety of on-board I/O: two Gigabit Ethernet ports, two USB 2.0 Full-Speed (480 Mbps), one I2C bus, and user General-purpose I/Os. All these ports are accessible on standard COM Express connectors.

Graphic Interface

Optional on-board graphic controller provides a GUI (Graphical User Interface) for embedded applications. It supports 8 MByte of memory and uses 200 MHz RAMDAC, with a resolution up to 1280x1024. The 128-bit engine supports 2D and 3D acceleration through APIs.

Software

Developers can take advantage of the XCOM-9347's power and performance when running major real-time operating systems (RTOS) or when deploying applications based on the low-cost, open-source Linux™ operating system.



Local Processor

- Freescale MPC8347EA
- 756 MIPS @ 400 MHz
- Security Engine

Memory

- up to 2 GByte DDR2 SDRAM on SO-DIMM socket
- **Up to 1 GByte NAND Flash ***
- 8 MByte Boot Flash
- 8 kByte NVRAM
- 8 kbit serial EEPROM

Communication ports

- 2 Gigabit Ethernet ports
- **2 USB 2.0 Full-Speed ****
- 1 I2C bus
- 8 User GPIOs
- 2 RS-232 UARTs
- 1 JTAG debug interface

Graphic controller ^{*/**}

- 2D/3D rendering engine
- XGA resolution 1280x1024
- 200 MHz RAMDAC
- 8 MB on chip memory
- 24-bit LVDS
- 18-bit LCD
- Analog RGB

Peripherals

- **2 S-ATA ports ****
- 1 Real Time Clock
- 1 Watchdog
- 1 Temperature sensor
- 1 LBC connector

PCI Interface

- 32-bit, 33/66 MHz
- 3.3V environment

Environmental

Commercial	0 to +55°C
Extended	-40 to +70°C
Relative Humidity	0 to 95 % (non-cond.)
Altitude	0 to 3,000 m

Power Requirements

+12V	TBD
+3.3V standby	TBD

Mechanical

Dimension	95 x 95 mm
Vibration	TBD
Shock	TBD
MTBF	TBD

*** ordering option**

**** Not available in extended temperature grade**

ACTIS Computer SA

19 ch. du Champ-des-Filles
CH - 1228 Plan-Les-Ouates, Switzerland
Tel: +41 (22) 706 1830
Fax: +41 (22) 794 4391

ACTIS Computer Inc

6202 South Maple Ave, Suite 120
Tempe, Arizona 85283, USA
Tel: (480) 838 1799
Fax: (480) 838 4477

Distributed by:

For ordering information, please visit our web site at www.actis-computer.com

All products mentioned may be trademarks or registered trademarks of their respective holders. ACTIS Computer believes this information is accurate as of its publication date and is not responsible for any inadvertent errors. The information contained herein is subject to change without notice.
Copyright © 2006 ACTIS Computer.