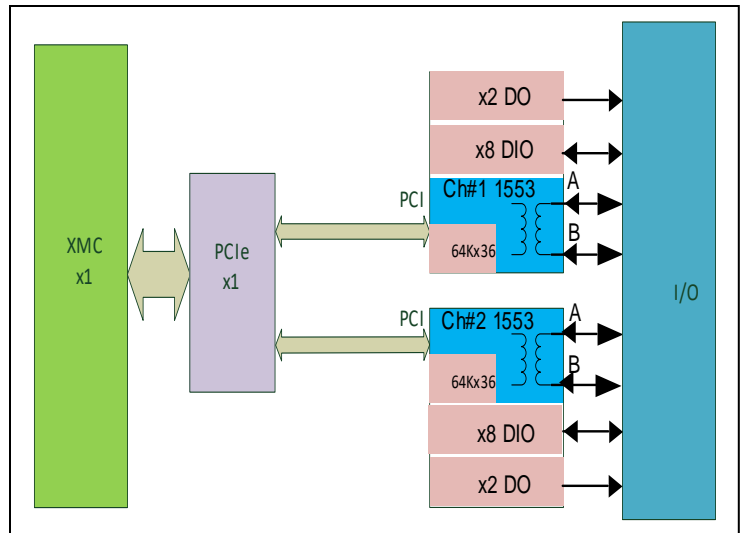


Two Channel Dual Redundant 1553 Controller, Multiple RT Support

Features

- XMC VITA 61 or VITA 42 options, PCI Express x1 lane interface
- Two dual redundant MIL-STD-1553 controllers (A/B channels)
- Multiprotocol support: MIL-STD-1553A/B STANAG-3838 and MIL-STD-1760
- 2MB RAM per channel
- Programmable mode: Bus Controller, Remote Terminal with concurrent Bus Monitor
- IRIG-106 Chapter 10 Monitor
- Emulates up to 31 RT addresses simultaneously
- Filter based on RT address, T/R bit, sub-address
- Transformer coupled
- IRIG-B digital input
- 16 digital discrete I/O
- 2 digital outputs



XMC-1553-2-IO Block Diagram

Overview

The XMC-1553-2-IO-2 uses a DDC® Total-ACE® communication device as its 1553 bus controller, or as a remote terminal with concurrent bus monitor terminal. Dual controller has a dual redundant channel with built in transceivers and transformer. The controller has the capability to emulate up to 31 RT addresses simultaneously. The XMC-1553-2-IO in RT mode can filter on RT address, T/R, sub-address. The board supports 16 digital I/O TTL Levels. Board format is full XMC VITA61 2011 or VITA42, and is provided in extended temperature range.



Applications

This is a perfect solution for a wide array of 1553 communication applications, including:

- Industrial and Military
- Test equipment supporting evaluation, simulation
- Operational equipment such as avionics, space satellite systems, aircraft onboard systems
- Commercial systems
- Monitoring and analysis

Available Software Drivers

- C library dll's
- Linux® drivers
- Windows® drivers
- VxWorks® drivers

Ordering Information

XMC-1553-2-IO-V61	XMC VITA 61 Two Channels Dual Redundant 1553 Controller -40°C to +85°C operating temp
XMC-1553-2-IO-V42	XMC VITA 42 Two Channels Dual Redundant 1553 Controller -40°C to +85°C operating temp

Optional Accessories

CBL-XMC-1553-2-12	12 inch 1553 cable to 4 Triax
-------------------	-------------------------------