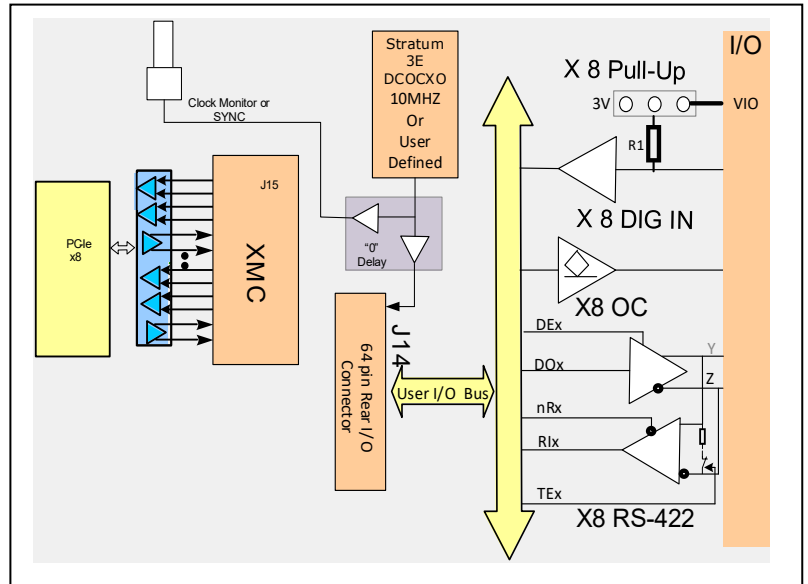


**PCI Express to XMC Carrier with I/O Interface to Rear I/O**

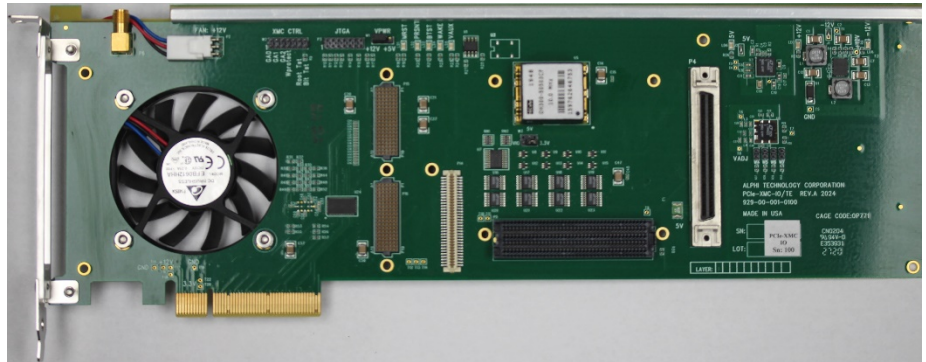
**Features**

- Full-size form factor (4.376in x 12.283in)
- Single XMC carrier slot
- XMC complies with ANSI/VITA 42.0-2008
- PCI Express x8 lanes
- PCIe Specification, Rev 1.1
- Gen 1 capable
- Eight ports programmable for RS-422/RS-485
- Configurable receiving port termination resistors
- Eight OC (Open Collector) ports
- Eight LVTTTL inputs with pull-ups
- Stratum 3E DCOCXO High Stability 10MHz Clock Oscillator
- I/O available on 68-pin SCSI extension module
- Custom carrier offered



**Overview**

The PCIe-XMC-IO is a PCI Express bus form factor XMC carrier. The carrier card interfaces an XMC mezzanine module to a PCI Express bus in a PC-based computer system. The PCIe bus adapter board allows a PC (PCIe bus master) to control and communicate



with the hosted XMC module. It acts as an adapter to route signals between the system's PCIe bus and the XMC module connector. The I/O signals for the XMC are routed to the rear I/O and used to provide additional ports controlled by the XMC module. A Stratum 3E DCOCXO High Stability 10MHz Oscillator provides a clock source for the XMC. The carrier board provides eight configurable RS-422/485 ports with termination, eight Open Collector output ports and eight LVTTTL Input Ports with pull-ups. An extension cable is provided to connect the carrier's rear I/O to a front panel connector in an adjacent slot.

**Ordering Information**

PCIe-XMC-IO	PCIe to XMC Slave Carrier with I/O and Bracket
PCIe-XMC-IO-NC	PCIe to XMC Slave Carrier with I/O and Bracket, No Clock

**Optional Accessories**

CBL-68-SCSI-Flat	68 pin flat SCSI cable for Extender Connector - 10 inch
PCIe-EXT-68	68 pin SCSI cable with PCI bracket mounted HD68 female connector - 10 inch

