

Summary

The ATC-SCC04F module is a quad channel serial communication controller with 2K Fifo per Line (2K for TX and 2K for RX). The ATC-SCC04F module is based on 4 enhanced Z85233, with larger FIFOs and several SDLC improvements from Zilog. This module provides four asynchronous ports up to 230 kbaud and synchronous ports up to 2 Mbaud full-duplex channels, with an independent baud rate generator for each channel. Several types of interface are supported by the ATC-SCC04F module: - RS-232 for the ATC-SCC04FA version and RS-422 / RS-485 for the ATC-SCC04FB version - TTL for the ATC-SCC-04FTTL version.



Quad Serial I/O Industry Pack With 4K FIFO RS-232 and RS-422/485 Software Selectable



IP-SCC04F

Features

- Four Z85233 Enhanced Controller
- Quad synchronous / Asynchronous serial ports
- 2K FIFO per Line (TX and RX)
- Software selectable RS-232 or RS-422, RS-485 HDLC, SDLC
- Individual baud rate generators per port
- 230 Kbits Async. Upto 2 Mbits Sync.
- Full handshake control line
- Software Programable 100 Ohm Termination
- Full modem control
- Low power 375mA typ.
- Software examples included
- VxWorks available

Applications

- Communication

IP interface

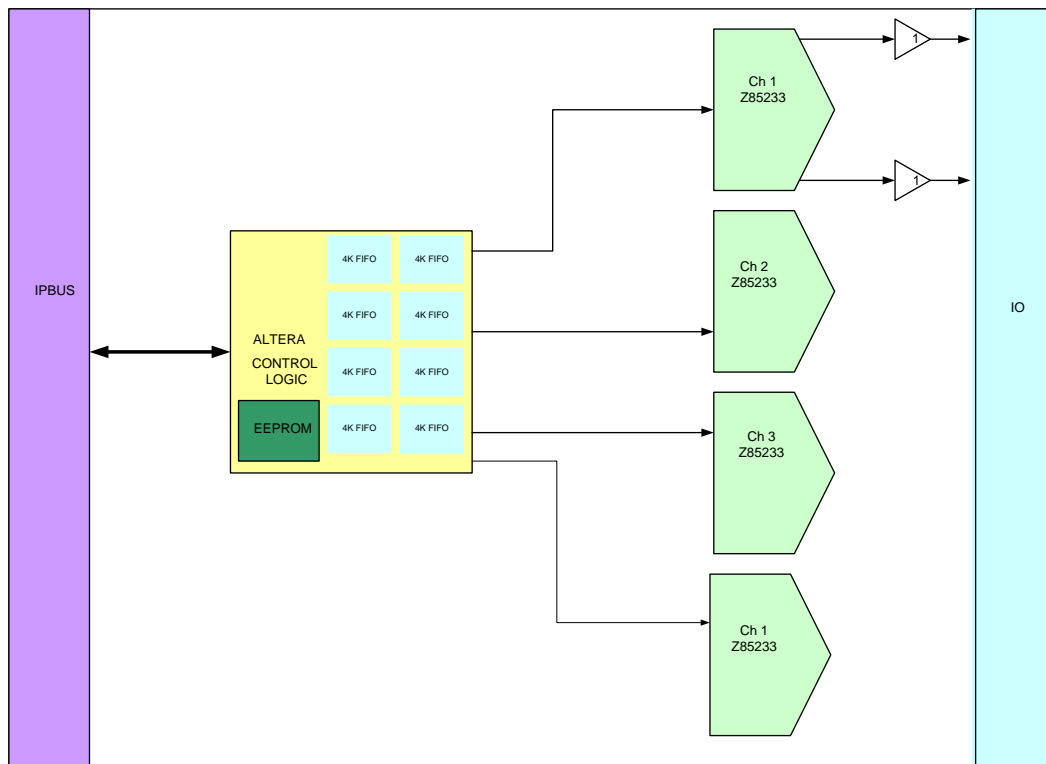
- Compatible with Industry Pack Bus specification
- Identification EEPROM
- 8/32 MHz clock
- 16 bit data

Operating: Environmental

- Operating temperature
 Commercial: 0 to +70 °C
 Optional: -25°C to +80°C
- Non-operating: -40°C to 85 °C
- Airflow requirement: .5 CFM
- Humidity: 5 to 90% (non-condensing)
- Altitude: 0 to 10'000 ft

Mechanical: Environmental

- Size: Vita 4 Type 1 IP
 1.8" x 3.9"
- Power: +5, +12, -12 volts
- Vibration: 0.5G RMS
 20-2000 Hz rand
- Shock: 20 G, 11 ms, ½ sine
- Weight: tbd
- MTBF: >250000 hours



Functional Block Diagram

ORDERING INFORMATION

Part Number: ATC-SCC04F-XX 4 Ch RS-422/RS-485 Module
 XX Clock Desired for Baud Rate

Optional Accessories

Part Number : TB-50-HDR 50 pin terminal block and 1meter flat ribbon cable
 CBL-50-HDR 50 pin, 1 meter flat ribbon cable, IDC header connector

Alphi Technology Corporation
 6202 South Maple Ave, Suite 120
 Tempe, Arizona 85283, USA
 Tel: (480) 838 2428
 Fax: (480) 838 4477

For ordering information: sales@alphitech.com Please visit our web site at www.alphitech.com