

Summary

The new VME-4SIP Module provides a 6U high performance flexible I/O scheme, that supports industry standard Industry Packs. Choose from over a 100 different Industry Packs from Alphi Tech and others. For application requiring low cost, high density I/O or unique combinations, the VME-4SIP is the perfect solution. A total of 200 discrete I/O lines are available.

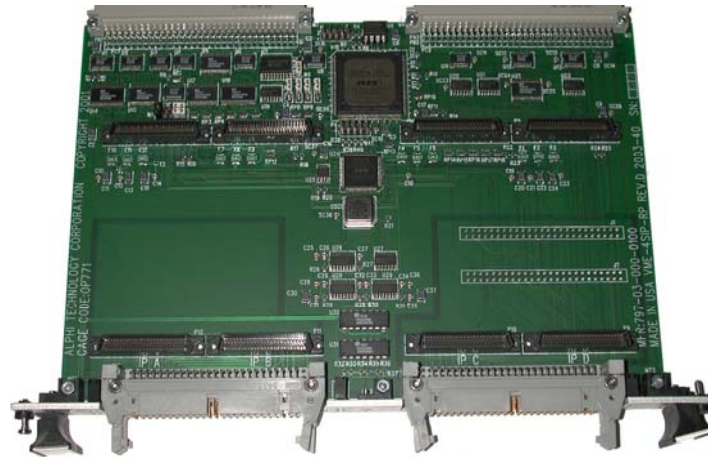
For a complete list of Industry Packs offered by Alphi Technology please visit our WEB site at www.alphitech.com

Available Drivers :

- Labview
- Linux
- Window XP



6U VME MODULE 4 INDUSTRY PACK CARRIER



VME-4SIP

VME Features:

A32/24/16 D16/8
6U 233 X 160mm

VME INTERFACE:

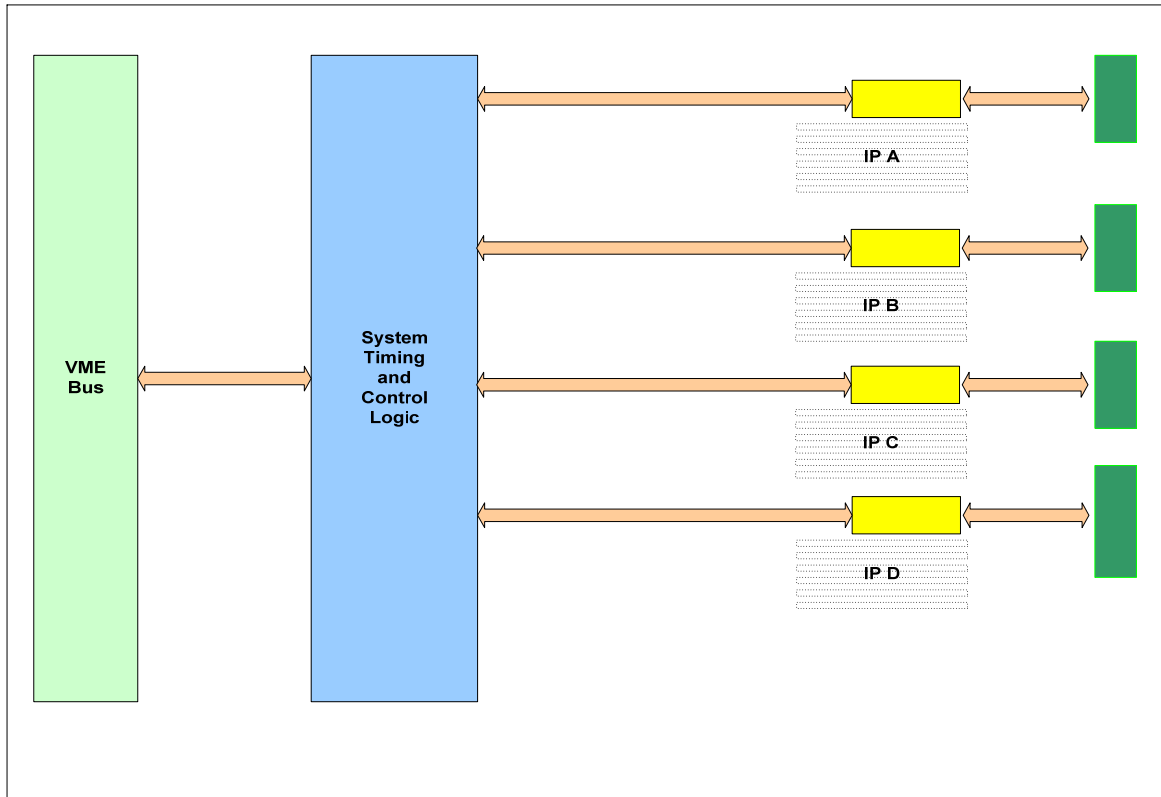
A32/A24/A16 :D16/D08(E0)
R/M/W Cycle
Interrupt : 1-7 software programmable

I/O panel connectors:

Front Panel I/O connectors
(4) X 50 IDE Connector

Industry Pack Specifications:

4 Industry Pack Sites
Supports single /dual widths
Meets ANSI Vita 4
8/32 MHz operation
Support ID, I/O, Int. & mem spaces
2 Interrupts
Supports 1 & 8MB addressing
Hardware self timed per IP module
Triggered via system reset and software control
Jumper or software time-out function
5, +/-12 volt reset-able fuse per IP
8/16 bit data
Support Single or Double Size IP Module



Functional Block Diagram

Mechanical & Environmental

- Operating temp. 0 to +55 °C
- Airflow requirement: 10 CFM
- Humidity: 5 to 90% (non-cond.)
- Altitude: 0 to 10'000 ft
- Full size PCI card
- Front panel I/O
- Power: +5v 1 amp, +12v 1 amp
- Vib.: 0.5G RMS 20-2KHz rand
- Shock: 20 G, 11 ms, ½ sine
- Weight: 1 lbs
- MTBF: >172000 hour

Ordering Information

VME-4SIP	6U VME (4) Industry Packs Carrier
CBL-50-HDR	50 pin Header cable
TB-50-HDR	Terminal Block

Alphi Technology Corporation
 6202 South Maple Ave, Suite 120
 Tempe, Arizona 85283, USA
 Tel: (480) 838 2428
 Fax: (480) 838 4477

For ordering information: sales@alphitech.com Please visit our web site at www.alphitech.com