

## Summary

The PCI-4SIP Module provides a Full PCI performance flexible I/O scheme, that supports industry standard Industry Packs. Choose from over a 100 different Industry Packs from Alphi Tech and others. For application requiring low cost, high density I/O or unique combinations, the PCI-4SIP is the perfect solution.

For a complete list of Industry Packs offered by Alphi Technology please visit our WEB site at [www.alphitech.com](http://www.alphitech.com)

### Available Drivers :

- Labview
- Linux
- Window XP



PCI-4SIP

## 3U – PCI MODULE SLAVE DUAL INDUSTRY PACK CARRIER

### Board Features:

Bus Interface via AMCC 5935  
 Bus speed 33MHz  
 Full PCI form factor

### Industry Pack Specifications:

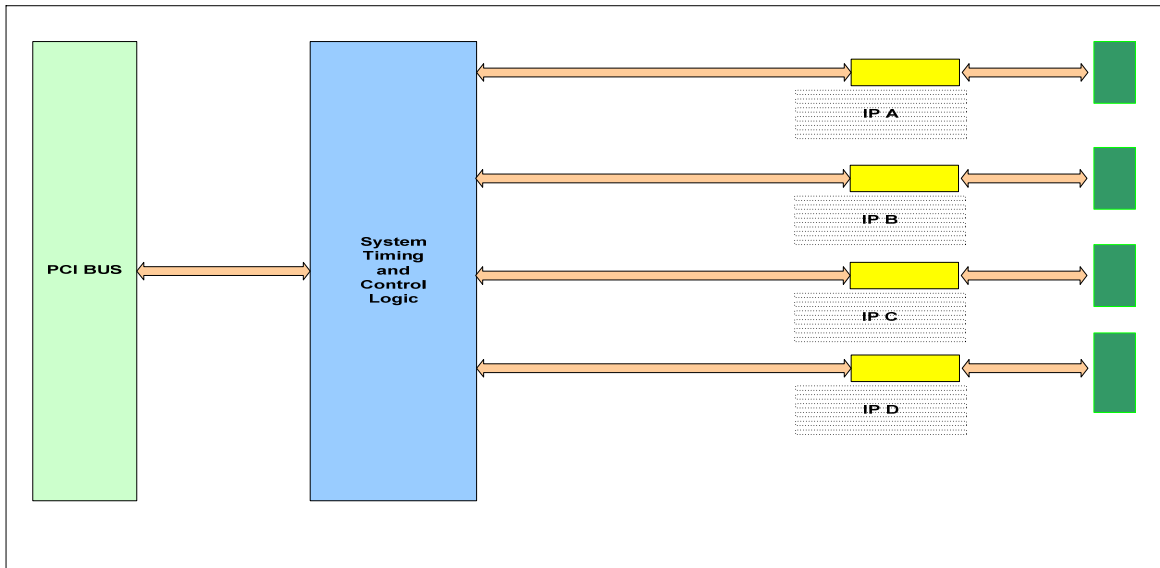
Quad Industry Pack Sites  
 Meets ANSI Vita 4  
 8/32 MHz operation  
 Support ID, I/O, Int. & mem spaces  
 2 Interrupts  
 Hardware self timed per IP module  
 Triggered via system reset and software control  
 Jumper or software time-out function  
 5, +/-12 volt reset-able fuse per IP  
 8/16 bit data

### PCI Bus:

PCI Bus Interface 5 Volt  
 AMCC 5935 33 MHz 32-bit, PCI r2.2 compliant

### I/O panel connectors:

2 Front Panel I/O connectors  
 2 Rear Panel I/O connectors  
 (4) X 50 pin 0.5mm Header



Functional Block Diagram

## Mechanical & Environmental

- Operating temp. 0 to +55 °C
- Airflow requirement: 10 CFM
- Humidity: 5 to 90% (non-cond.)
- Altitude: 0 to 10'000 ft
- Full size PCI card
- Front panel I/O
- Power: +5v 1 amp, +12v 1 amp
- Vib.: 0.5G RMS 20-2KHz rand
- Shock: 20 G, 11 ms, ½ sine
- Weight: 1 lbs
- MTBF: >172000 hour

### Ordering Information

PCI-4SIP	3U PCI Slave Industry Pack Carrier
CBL-50-HDR	50 pin header cable
TB-50-HDR	Terminal Block

**Alphi Technology Corporation**  
 6202 South Maple Ave, Suite 120  
 Tempe, Arizona 85283, USA  
 Tel: (480) 838 2428  
 Fax: (480) 838 4477

For ordering information: [sales@alphitech.com](mailto:sales@alphitech.com) Please visit our web site at [www.alphitech.com](http://www.alphitech.com)