

Summary

The IP-LCD is a high performance, graphics controller, based on Chips & Technologies F65545 chipset with 1 or 2 MB video RAM. The LSI chip on the IP-LCD includes host data and address bus interface, one MB high speed DRAM as display memory. It supports most Liquid Crystal Display (LCD) variants: Monochrome, color, STN, TFT, single scan and dual scan.

This module is a replacement for SBS' IP-LCD module and SNIJER IP-ULCD.



LCD and CRT Display Driver Color Graphic Controller



IP-LCD

Features

- Single size IndustryPack module
- Simultaneous LCD and CRT
- 1 MByte video RAM
- Programmable resolutions up to 1024X760 with 256 colors
- Advanced high speed write buffers
- Software controlled LCD backlight and contrast
- Complete RAMDAC with true-color capability
- Integrated Frame Accelerator for high speed LCD panel vertical refresh rates
- Connection to 8 and 16 bit dual and single scan color STN panel
- Connection to 9,12 and 18 bit color TFT panels
- Connection to color CRT display directly

Applications

- GUI
- Video Graphics controller
- LCD Flat Panel driver

Programmable via

- IP Bus

IP interface

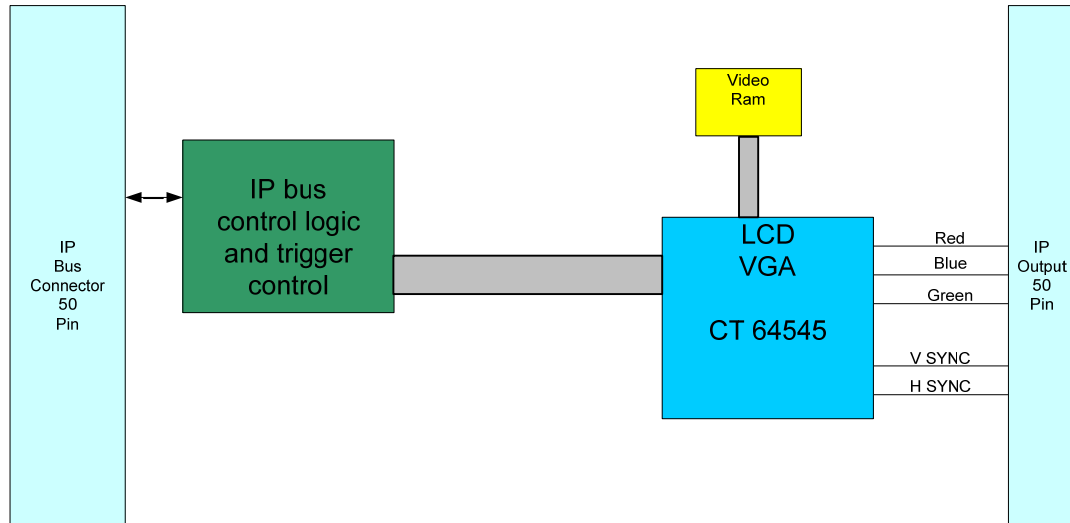
- 8/32 Mhz clock
- 16 bit data

Operating: Environmental

- Operating temperature
 Commercial: 0 to +55 °C
 Optional: -25°C to +80°C
- Non-operating: -40°C to 85 °C
- Airflow requirement: .5 CFM
- Humidity: 5 to 90% (non-cond.)
- Altitude: 0 to 10'000 ft

Mechanical: Environmental

- Size: Vita 4 Type 1 IP
 1.8" x 3.9"
- Power: +5, +12, -12 volts
- Vibration: 0.5G RMS
 20-2000 Hz rand
- Shock: 20 G, 11 ms, ½ sine
- Weight: tbd
- MTBF: >250000 hours



Functional Block Diagram

ORDERING INFORMATION

Part Number:	IP-LCD	LCD VGA controller
	IP-LCD-HW	LCD VGA controller with IP Hardware Kit

Optional Accessories

Part Number :	TB-50-HDR	50 pin terminal block and 1meter flat ribbon cable
	CBL-50-HDR	50 pin,1meter flat ribbon cable, IDC header connector

Alphi Technology Corporation
 6202 South Maple Ave, Suite 120
 Tempe, Arizona 85283, USA
 Tel: (480) 838 2428
 Fax: (480) 838 4477

For ordering information: sales@alphitech.com Please visit our web site at www.alphitech.com