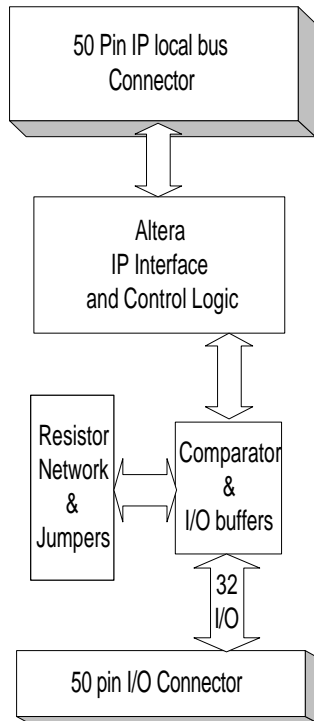


Digital Input / Output Industry Pack

32 Channel I/O, variable threshold, variable voltage

ATC-DIO32
Functional Block Diagram

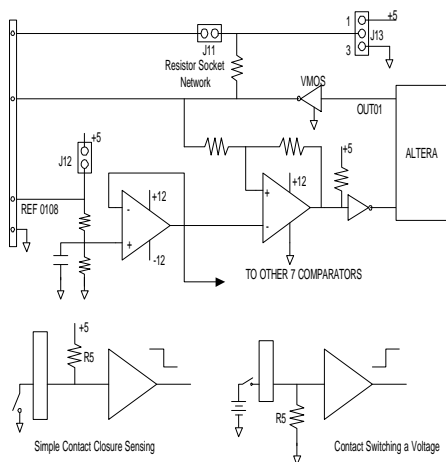


FEATURE SUMMARY

- Up to 32 I/O Pin available by group of 8
- Direct read-back outputs
- Open drain VMOS that can sink up to 100mA at voltage up to 40V.
- Very low Ron (0.3) for reduce heat dissipation
- Pull –Up resistor with +5v internal or variable external reference jumper selected
- Wide input range from 0V to 30V
- Hysteresis on each channel
- Variable threshold can be changed by R. network
- Threshold source can be internal or external selected by jumpers
- Change of state detection can generate IP Interrupt
- Integrated Altera logic for Custom option
- 8 or 32 MHz IPCLK
- Low power
- 0 to +70 opt. -45 to +85
- Humidity 5 to 95 non-condensing
- Single wide Industry Pack

OVERVIEW

The ATC-DIO32 is the perfect solution for control and monitor of switches and indicators or similar devices. For applications that need to work with a variety of input an output voltages of 0-30 volts, the ATC-DIO32 offers 32 channels on a single wide industry pack. The ATC-DIO32 can be programmed as read / write in groups of 8 and internal or external voltages are user settable by jumpers.



ORDERING INFORMATION

p/n:	ATC-DIO32	32 ch. programmable digital I/O
	ATC-DIO32-I	-40 to +85 C
	CBL-HDR-HRS-50	50 pin cable
	TB-HDR-50	50 Pin terminal block

© Copyright 2003 by ALPHI TECHNOLOGY
6202 South Maple Ave., Suite 120 Tempe, Arizona 85283
PHONE (480) 838-2428 FAX (480) 838-4477 www.alphitech.com