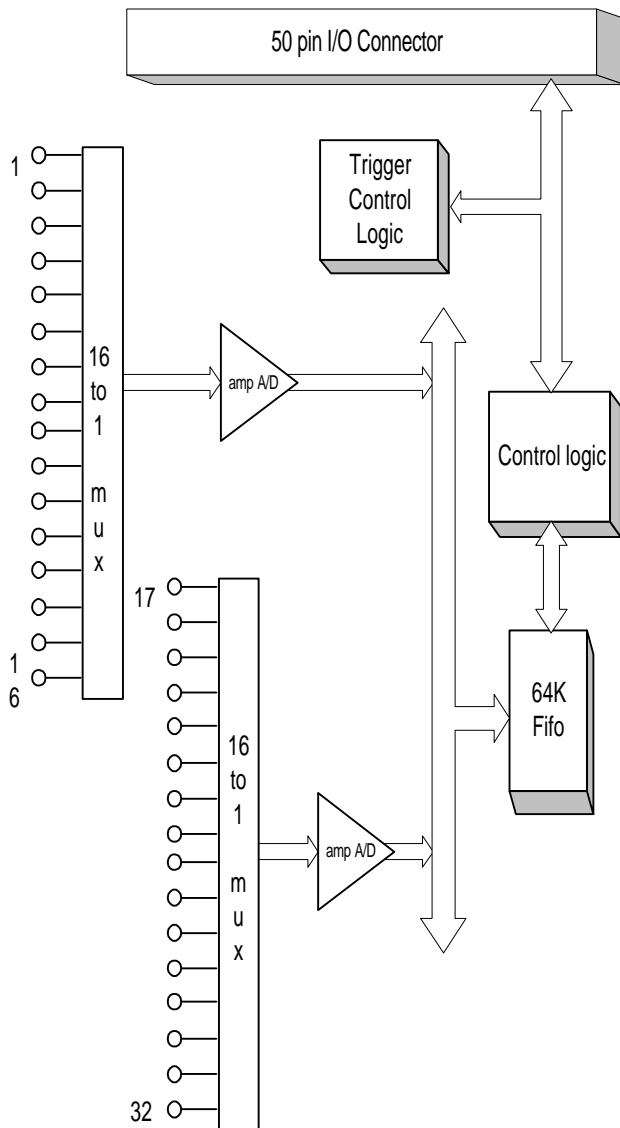


High Density A/D Industry Pack 32 channel 16 bit

ATC-AD3216
Functional Block Diagram



FEATURE SUMMARY

- 32 Single ended or 16 differential 16 bit channels
- Two 100k AD 977 ADC's running simultaneously
- 2 groups of 16 multiplexed sampling
- 0 – 10v, +/-10v, +/-5v, 0-+5v, +/-3.3v, 0-+4v.
- 64K byte FIFO IDT 72285
- External or Internal triggers
- Pre and post triggers
- Instrumentation amplifier per group of 8
- Over-voltage protection
- 0 to +70
- Humidity 5 to 95 non-condensing
- Software examples included
- VITA 4 8 & 32 Mhz IP interface
- Single wide Industry Pack

OVERVIEW

The ATC-AD3216 is an high performance Analog to digital converter on a single wide Industry Pack. The ATC-AD3216 offer 32 single ended or 16 differential A/D inputs. There is a wide range of voltage input option; 0 – 10v, +/-10v, +/-5v, 0-+5v, +/-3.3v, 0-+4v. The 8k FIFO insures that there is no latency of the data being transferred.

ORDERING INFORMATION

p/n: ATC-AD3216 32 channel A/D

© Copyright 2001 by ALPHI TECHNOLOGY
6202 South Maple Ave., Suite 120 Tempe, Arizona 85283
PHONE (480) 838-2428 FAX (480) 838-4477 www.alphitech.com