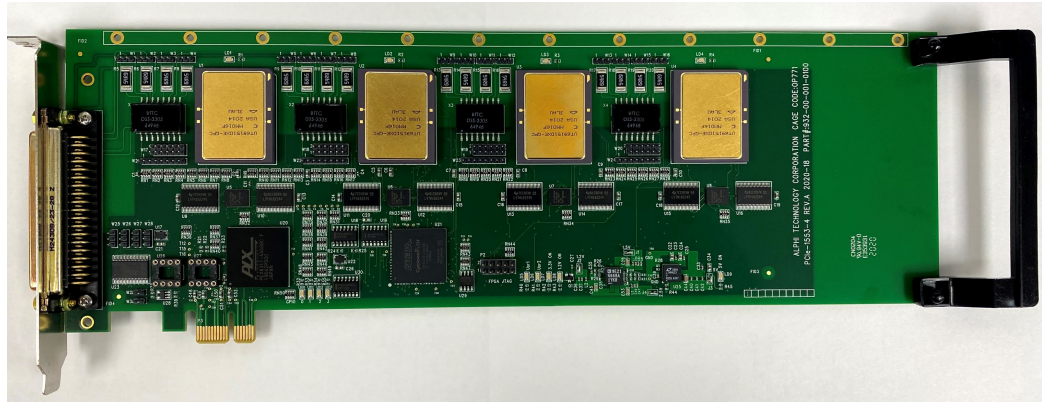


## Summary

- MIL-STD-1553B
- optional IRIG-B
- 1 Lane PClexpress
- Options:
  - 0 to +70 degrees
  - 40 to +85 degrees
  - Conformal coating
- 128 Kbyte SRAM  
Per Channel
- BC / RT / M modes
- Separate logic for the  
PCIe interface
- (4) Dual Redundant  
Channel 1 (A+B)  
Channel 2 (A+B)  
Channel 3 (A+B)  
Channel 4 (A+B)
- Selectable Internal /  
external CLK
- 78 ohm X-formers
- Long / short stub
- 5.0v or 3.3v VIO
- Low power
- LED Status
- Available Software
  - 'C' libs
  - Windows
  - Linux
  - VxWorks



## QUAD UTMC 1553 SUMMIT CONTROLLER BUS CONTROLLER, REMOTE TERMINAL, BUS MONITOR MODES



PICTURE SHOWN PCIe-1553-4

### Features

- 1 to 4 UTMC SUMMIT
- UT69151DX-GPC
- BC / RT / BM
- On-chip Transceivers
- On-board Transformers
- Long stub / Short stub

### Memory

- 1 to 4 banks 128Kbytes Sram

### Programmable via

- PClexpress Bus

### PCIe interface

- Local Bus Clock rates at 66MHz
- Compliant PCIe Specification, r1.0a
- PCIMG 1.x
- Direct slave data transfers
- 2 DMA Channels

### I/O

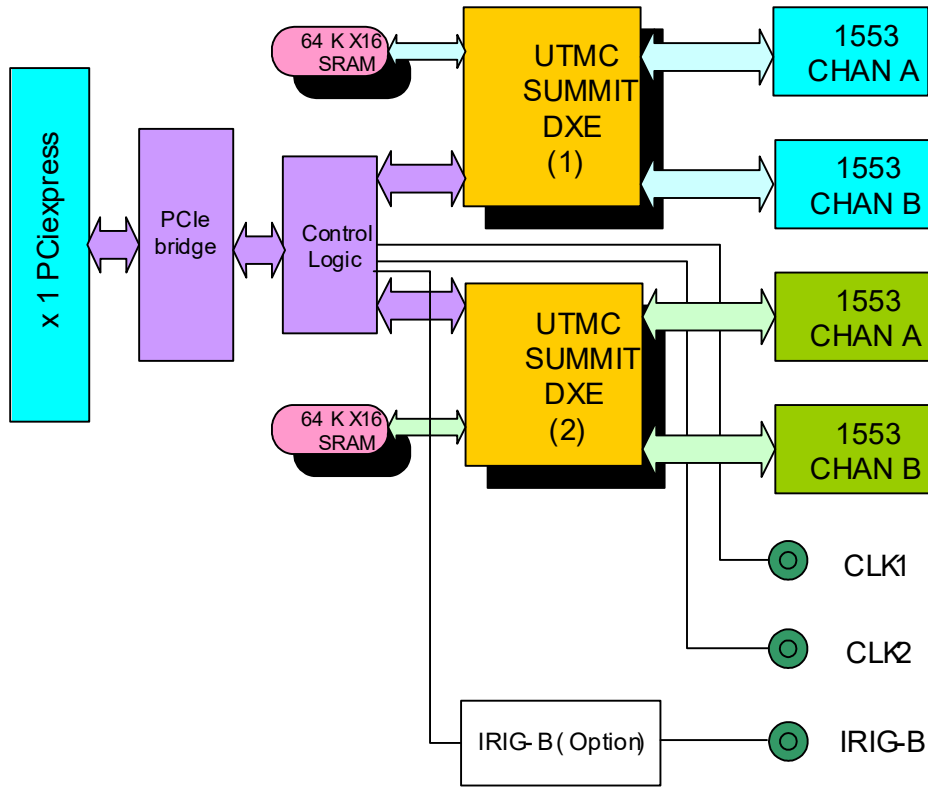
- 1553 bus levels
- TTL (5v) clock
- Front panel or rear I/O

### Operating: Environmental

- Operating temperature
  - Commercial: 0 to +70 °C
  - Optional: -40°C to +80°C
- Airflow requirement: .5 CFM
- Humidity: 5 to 90% (non-cond.)
- Altitude: 0 to 20'000 ft

### Mechanical: Environmental

- Size: Low Profile PCIe  
2.5" x 6.5"
- Power: 1.5 watt
- Front panel I/O
- Vibration: 0.5G RMS  
20-2000 Hz rand
- Shock: 20 G, 11 ms, 1/2 sine
- Weight: tbd
- MTBF: >250000 hours



Functional Block Diagram

<b>Ordering Information</b>	
Part Number : PCIe-1553-x-	(1) MIL-1553, BC/RT/M, UTMC SUMMIT, No IRIG-B
	X 1 to 4 Channels
C -	0°C to +70 °C Temperature rating
I -	-40°C to +85 °C Temperature rating
<b>Optional Accessories</b>	
Part Number : EngKit-1553-micro	2 T's, 2 Terminators, 1 16 inch cables
Part Number : CBL-1553-micro	Standard-Standard 16 inch 1553 cable

**Alphi Technology Corporation**

1898 E. Southern Ave.  
 Tempe, Arizona 85282, USA  
 Tel: (480) 838 2428  
 Fax: (480) 838 4477

823-01-000-4100

For ordering information: [sales@alphitech.com](mailto:sales@alphitech.com) Please visit our web site at [www.alphitech.com](http://www.alphitech.com)

Products mentioned are trademarks or registered trademarks of their respective holders. Alphi Technology believes this information is accurate as of its publication date and is not responsible for any inadvertent errors. The information contained herein is subject to change without notice. Copyright © 2005 Alphi Technology Corp. document number: 823-0-001-4100 rev.q