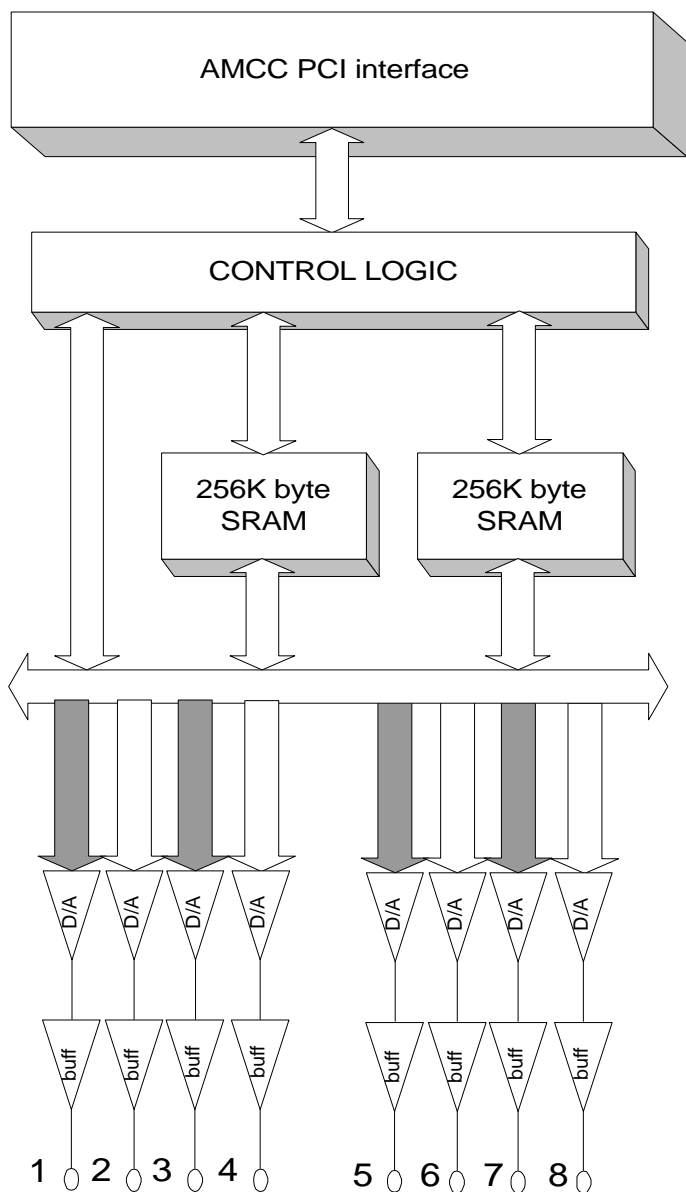


CompactPCI™ Module

8 channel 16 bit Digital to Analog

**Compact PCI-DA8
FUNCTIONAL BLOCK DIAGRAM**



FEATURE SUMMARY

- 8 independent channels
- 16 bit Digital to Analog converters- DAC712
- 10 uS DAC converters
- High speed transfers to and from the CPCI bus
- Two banks of SRAM for wave form tables
- Selectable internal external power options
- Buffered outputs, 40 or 250 mA options
- +-10 volt outputs
- Automated state machine and buffer RAM to minimize impact to HOST
- Direct memory mapped access to the registers and buffer RAM
- Front panel I/O connectors for all outputs
- High current outputs for control applications
- 3U CompactPCI form factor

OVERVIEW

The CPCI-DA8 is a slave Digital to Analog board that is managed by the host processor on the CPCI bus. The card contains a state machine that performs most of the work of outputting data, in order to minimize the impact to the HOST system.

The CPCI-DA8 is supported by ALPHI Technology under *Windows NT* by a **Board Support Package** which is supplied with the card. Other documentation supplied with the card will describe this support in full detail.

ORDERING INFORMATION

p/n:	CPCI-DA8-1	40 mA output
	CPCI-DA8-2	250 mA output
	TB-50	50 pin terminal block w/ cable
	CBL-SCSI-50	50 pin scsi cable

© Copyright 2002 by ALPHI TECHNOLOGY
 6202 South Maple Ave., Suite 120 Tempe, Arizona 85283
 PHONE (480) 838-2428 FAX (480) 838-4477 www.alphitech.com



