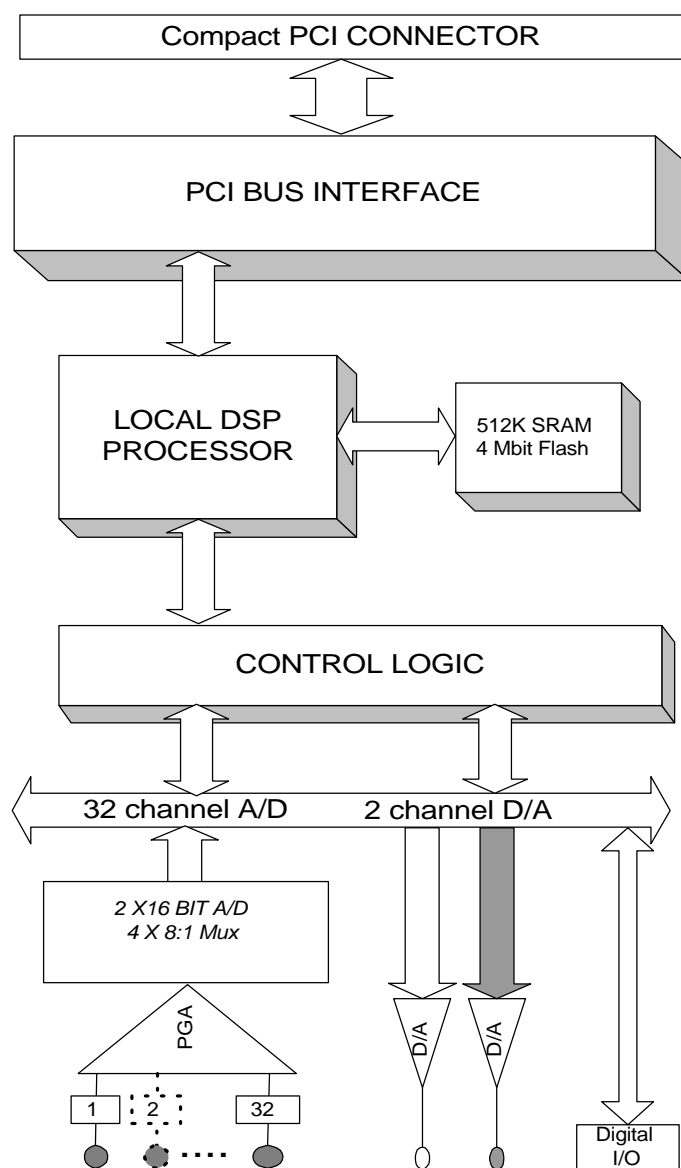


CompactPCI™ Intelligent Data Acquisition 16 bit ADC & DAC and TTL I/O

Compact PCI-AD32 FUNCTIONAL BLOCK DIAGRAM



FEATURE SUMMARY

- 32 single ended channels, or 16 differential channels, 16 bit A/D, 200KSPS through put
- Two channel 16 bit Digital to Analog
- 16 bi-directional TTL I/O with counter / timer
- AMCC PCI interface
- TMS320C31 DSP processor
- 512K byte of zero wait state SRAM
- 4 Mbit flash memory
- Programmable Gain Amplifier with channel buffer- 1, 2, 4, 8 or optional 1, 10, 100, 1000.
- DMA transfers to and from the CPCI bus
- Application firmware can be downloaded over the CPCI bus to the local memory
- Analog input +/- 10v with over-voltage protection
- Front panel I/O
- 3U form factor
- Window NT support is standard
- Optional external power source for reduced noise

OVERVIEW

The CPCI-AD32 is a 3U CompactPCI multi-function I/O board. The CPCI-AD32 offers 32 channels of 16 bit A/D, two 16 bit D/A, 16 digital I/O, counter / timers. There is a local 60 Mhz TMS320C31 DSP processor to supervise all the I/O activity. The DSP can be programmed by the end user to execute application specific code. The CPCI-AD32 is ideally suited for factory automation, automatic test equipment, test & measurement, and control systems.

ORDERING INFORMATION

p/n:	CPCI-AD32	Multifunction A/D, D/A & TTL
	CPCI-AD32-2	w/ 1,10,100,1000
	TB-80	80 pin terminal block w/ cable
	CBL-SCSI-80	80 pin scsi cable only

© Copyright 2000 by ALPHI TECHNOLOGY
6202 South Maple Ave., Suite 120 Tempe, Arizona 85283
PHONE (480) 838-2428 FAX (480) 838-4477 www.alphitech.com

