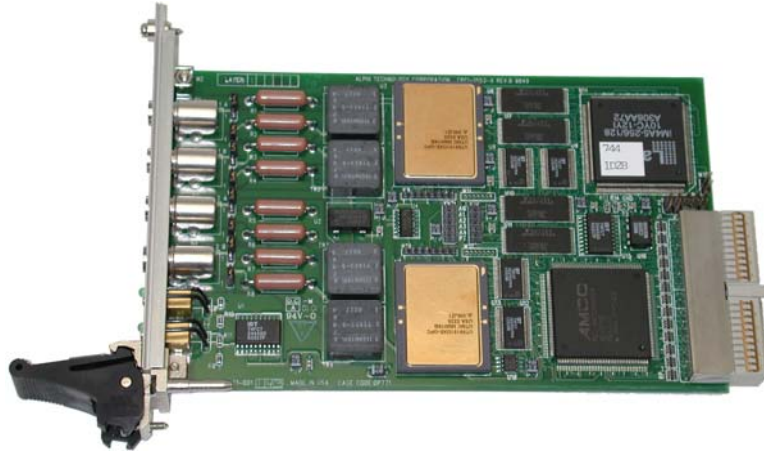


Summary

- MIL-STD-1553
- Options:
 - 0 to +70 degrees
 - 25 to +80 degrees
 - Conformal coating
- 128 Kbyte SRAM
- BC / RT / M modes
- Separate logic for the PMC interface
- Dual Redundant Channel (A) Channel (B)
- Internal external CLK
- 78 ohm X-formers
- Long / short stub
- Single 5 volt
- Low power
- LED Status
- Available Software
 - 'C' libs
 - Windows
 - Linux
 - VxWorks
- 32 Mhz CPCI clock
- PICMG compliant



SINGLE OR DUAL UTMC 1553 SUMMIT CONTROLLER BUS CONTROLLER, REMOTE TERMINAL, BUS MONITOR MODES



CPCI-1553-2

Features

- UTMC SUMMIT
- UT69151DX-GPC
- 128Kbytes Sram
- On-chip Transceivers
- On-board Transformers
- Long stub / Short stub

Memory

- 128 Kbyte external SRAM

I/O

- Dual 1553 bus levels
- TTL (5v) clock

Programmable via

- PMC Bus

PMC interface

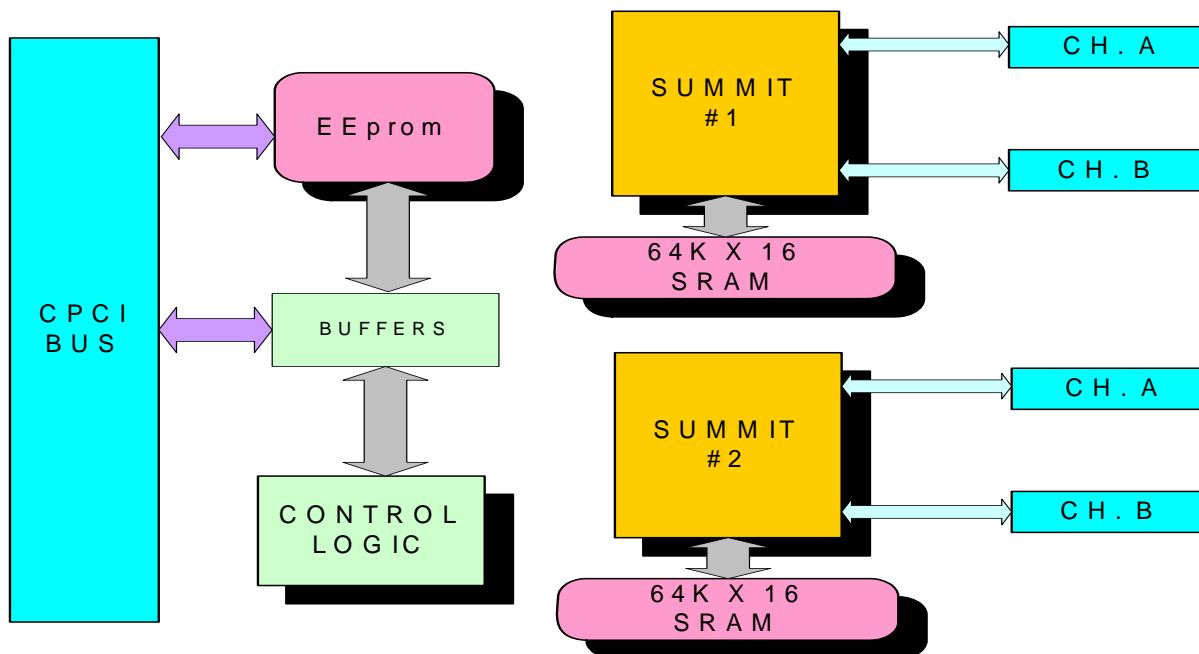
- 8/32 Mhz clock
- 16 bit address
- 16 bit data
- Interrupts
- DMA

Operating: Environmental

- Operating temperature
 - Commercial: 0 to +55 °C
 - Optional: -25°C to +80°C
- Non-operating: -40°C to 85 °C
- Airflow requirement: .5 CFM
- Humidity: 5 to 90% (non-cond.)
- Altitude: 0 to 10'000 ft

Mechanical: Environmental

- Size: 3U CPCI module
100mm x 160mm
- Power: 1.5 watt
- Front panel I/O
- Vibration: 0.5G RMS
20-2000 Hz rand
- Shock: 20 G, 11 ms, ½ sine
- Weight: tbd
- MTBF: >250000 hours



Functional Block Diagram

Ordering Information

Part Number : CPCI-1553-1	MIL-1553, BC/RT/M, UTMC SUMMIT PMC module
Part Number : CPCI-1553-2	MIL-1553, BC/RT/M, UTMC SUMMIT PMC module
Part Number : option I	same as above with -20 to +85 temperature rating

Optional Accessories

Part Number :	EngKit-1553	2 T's, 2 Terminators, 2 1 meter cables
Part Number :	CBL-1553-1	Standard-standard 2 meter 1553 cable
Part Number :	CBL-1553-2	Standard-mini 2 meter 1553 cable
Part Number :	CBL-1553-3	Mini-mini 2 meter 1553 cable

Alphi Technology Corporation
 6202 South Maple Ave, Suite 120
 Tempe, Arizona 85283, USA
 Tel: (480) 838 2428
 Fax: (480) 838 4477

For ordering information: sales@alphitech.com Please visit our web site at www.alphitech.com