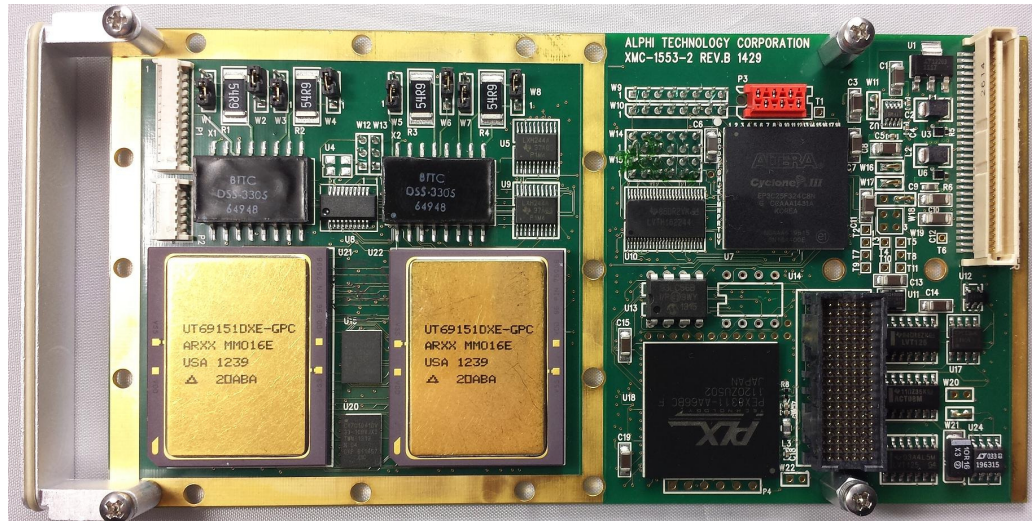


Summary

- MIL-STD-1553B
- optional IRIG-B
- VITA 42 compliant
- 1 Lane PCIexpress
- Options:
 0 to +70 degrees
 -40 to +85 degrees
 Conformal coating
- 128 Kbyte SRAM
 Per Channel
- BC / RT / M modes
- Separate logic for the
 XMC interface
- (2) Dual Redundant
 Channel 1 (A+B)
 Channel 2 (A+B)
- Selectable Internal /
 external CLK
- 78 ohm X-formers
- Long / short stub
- 5.0v or 3.3v VIO
- Low power
- LED Status
- Available Software
 - 'C' libs
 - Windows
 - Linux
 - VxWorks



DUAL UTMC 1553 SUMMIT CONTROLLER BUS CONTROLLER, REMOTE TERMINAL, BUS MONITOR MODES



PICTURE SHOWN XMC-1553-2

Features

- 1 or 2 UTMC SUMMIT
- UT69151DX-GPC
- BC / RT / BM
- On-chip Transceivers
- On-board Transformers
- Long stub / Short stub

Memory

- 1 or 2 banks 128Kbytes Sram

Programmable via

- XMC Bus

XMC interface

- 3.3V I/O, 5V tolerant bus interfaces
- Local Bus Clock rates at 66MHz
- Compliant PCIe Specification, r1.0a
- PCIMG 1.x
- Direct slave data transfers
- DMA

I/O

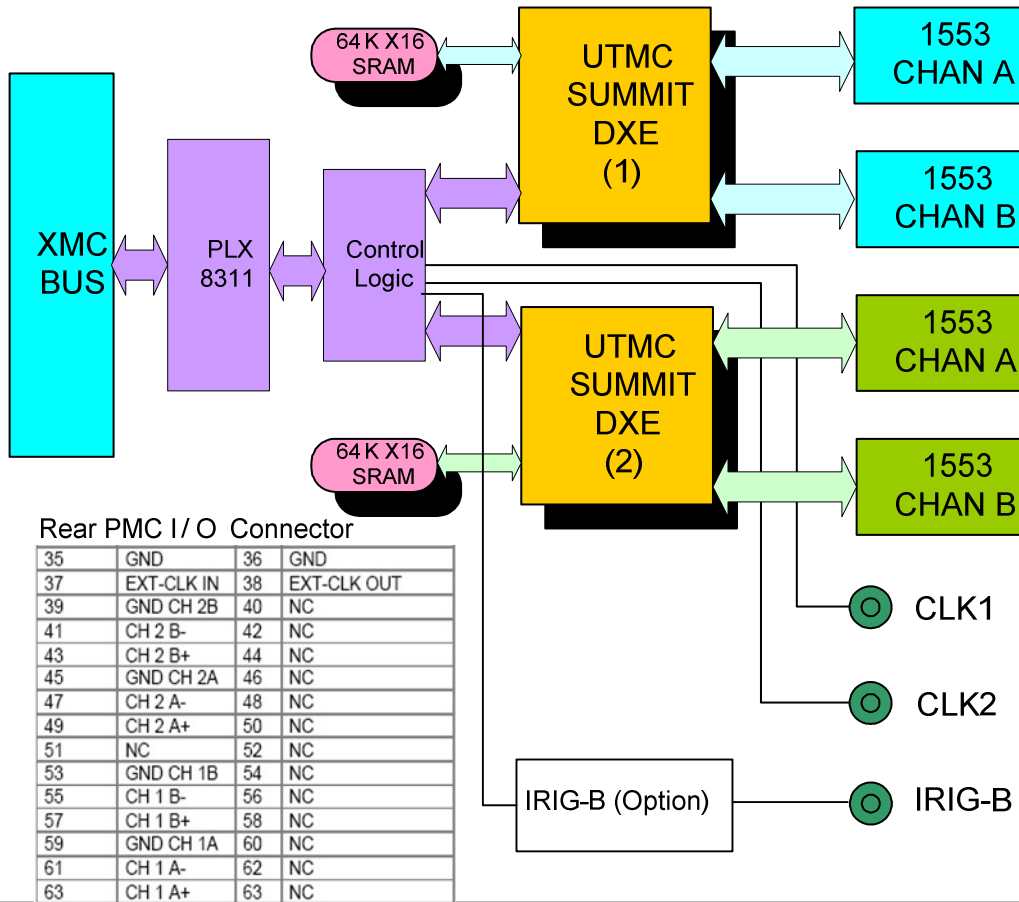
- 1553 bus levels
- TTL (5v) clock
- Front panel or rear I/O

Operating: Environmental

- Operating temperature
 Commercial: 0 to +70 °C
 Optional: -40°C to +80°C
- Airflow requirement: .5 CFM
- Humidity: 5 to 90% (non-cond.)
- Altitude: 0 to 20'000 ft

Mechanical: Environmental

- Size: Single wide XMC
 2.92" x 5.87"
- Power: 1.5 watt
- Front panel I/O and or R I/O
- Vibration: 0.5G RMS
 20-2000 Hz rand
- Shock: 20 G, 11 ms, 1/2 sine
- Weight: tbd
- MTBF: >250000 hours



Functional Block Diagram

Part Number : XMC-1553-1-
 Part Number : XMC-1553-2-

C -
 I -

FP
 RP

-IRIG

Ordering Information

(1) MIL-1553, BC/RT/M, UTMC SUMMIT, No IRIG-B

(2) MIL-1553, BC/RT/M, UTMC SUMMIT, No IRIG-B

0°C to +70 °C Temperature rating

-40°C to +85 °C Temperature rating

Front Panel Access Only

Rear Panel Access Only

IRIG-B Option

Optional Accessories

Part Number : EngKit-1553-micro

2 T's, 2 Terminators, 1 16 inch cables

Part Number : CBL-1553-micro

Standard-Standard 16 inch 1553 cable

Alphi Technology Corporation

1898 E. Southern Ave.

Tempe, Arizona 85282, USA

Tel: (480) 838 2428

Fax: (480) 838 4477

823-01-000-4100

For ordering information: sales@alphitech.com Please visit our web site at www.alphitech.com