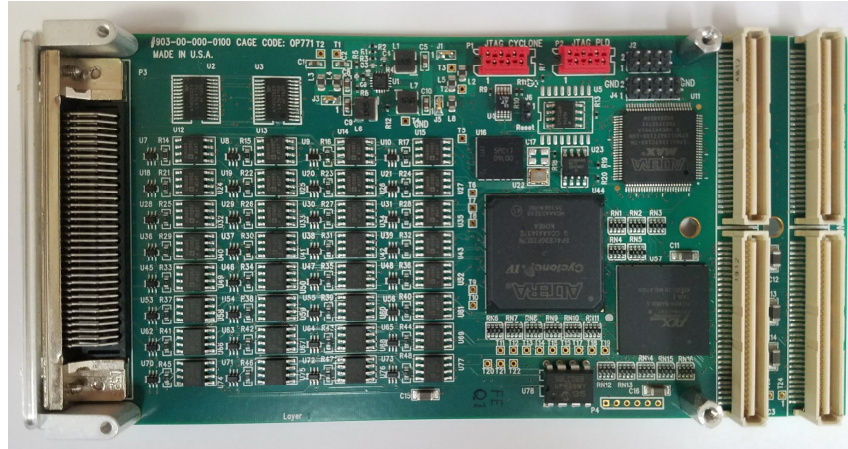


Summary

- Cyclone IV EP4CE30484-fbga package
- Cyclone IV FPGA allows a wide range of customization options.
- 4 Mbyte SRAM
- SRAM is dual ported
- Separate logic for the IP interface
- Reconfigurable I/O
- 32 LVDS I/O lines
Up to 155Mbps
- Each GPIO line has independent Interrupt Support programmable for Edge trigger
- User configurable IO
- On board Serial configuration device programmable via PMC bus or bit/byte blaster
- Local serial EPROM
- Internal / External clock
- PCI +3.3V/+5V Operation and Logic
- 32/64 Mhz PMC clock support
- Front panel I/O access
- Windows, Linux and VxWorks Drivers



USER RECONFIGURABLE 32 LVDS I/O LINE ALTERA FPGA, 4MBYTE DUAL-PORTED SRAM,



PMC-CIV-32LVDS

Features

- User Programmable Altera Cyclone IV FPGA 484 BGA: EP4CE30, EP4CE50, EP4CE70 options
- Stand alone possibility
- Single wide PMC Module
- Optional User clock oscillator

Memory

- 4 Mbyte external SRAM
- Dual ported between the Altera and PMC bus with arbitration

I/O Level

- 32 I/O pins buffered MLVDS
- Up to 200Mbps
- Fully User programmable
- Direction programmed
- Change of state detection & interrupt: generated per Line on Positive or negative Edge
- Bit pattern recognition
- Direct readback of register
- Direct output control
- Pre-programmed output latch with output strobe

CycloneIV Programmable via

- Bit / Byte Blaster
- Serial EPROM
- PMC Bus

PMC interface

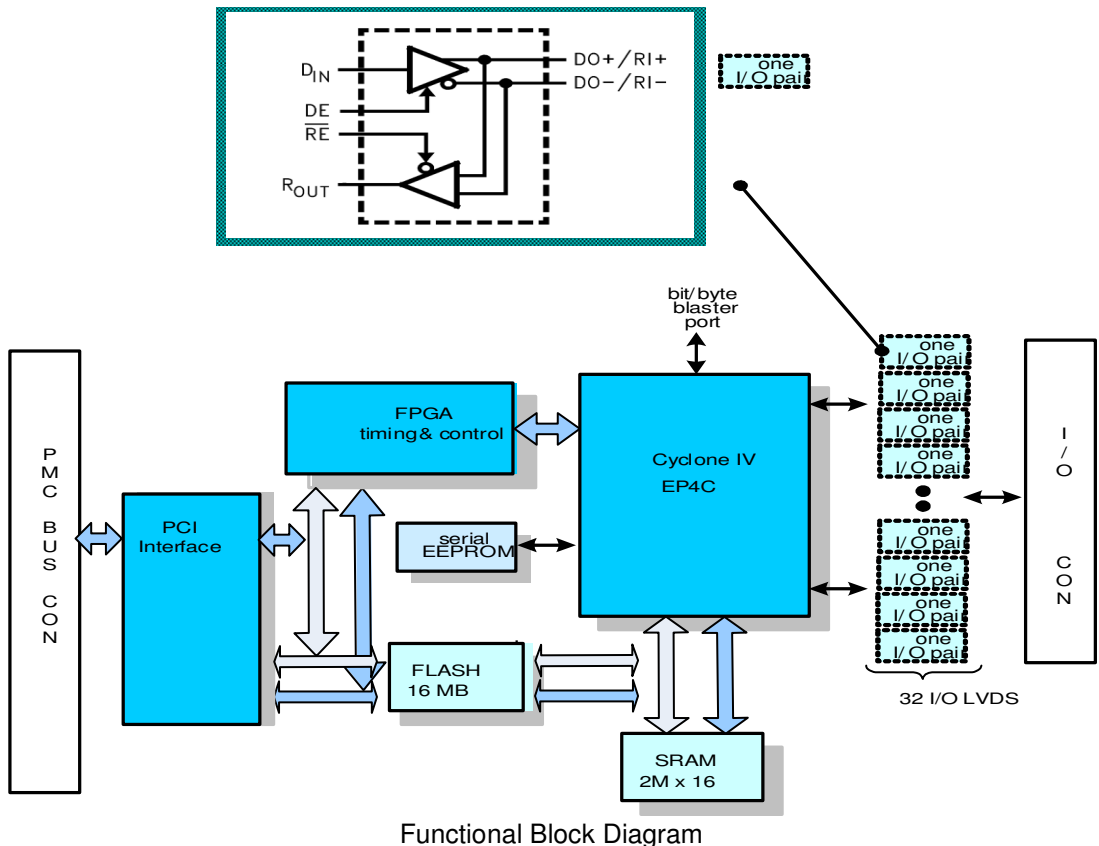
- PLX 9056- VIO 3.3/5.0 Volts
- 32 Bit, 33/66 MHz
- DMA for maximum throughput from the host

Operating: Environmental

- Operating temperature
Commercial: 0 to +55 °C
Optional: -40°C to +85°C
- Non-operating: -55°C to 95 °C
- Airflow requirement: .5 CFM
- Humidity: 5 to 90% (non-cond.)
- Altitude: 0 to 10'000 ft

Mechanical: Environmental

- Power: +5Volts :6µa
+3.3Volts: 180ma
+12/-12Volts: 0ma
- Vibration: 0.5G RMS
20-2000 Hz rand
- Shock: 20 G, 11 ms, 1/2 sine
- Weight: 3 oz.
- MTBF: >250000 hours



Ordering Information

Part Number : PMC-CIV30-32LVDS ALTERA EP4CE30, 32LVDS PMC module

PMC-CIVxx-32LVDS-I Same as above with -40 to +85 C

Optional Accessories

Part Number : TB-68-SCSI 68 pin terminal block and 1meter SCSI cable

Part Number : CBL-68-SCSI 68 pin, 1meter SCSI

Alphi Technology Corporation

1898 E. Southern Ave.,
 Tempe, Arizona 85282, USA
 Tel: (480) 838 2428
 Fax: (480) 838 4477

834-14-001-4100

For ordering information: sales@alphitech.com Please visit our web site at www.alphitech.com