

Summary

The IP-DIO48-OC is the perfect solution for control and monitor of switches and indicators or similar devices. For applications that need to work with a variety of input and output voltages ranging from 0-40 volts, the IP-DIO48-OC offers 48 independent channels on a single wide industry pack. Each of the channels of the IP-DIO48-OC can be configured individually as input / output..

- Single wide Industry Pack module

- Programmable via IP bus

- 8/32 Mhz IP clock support

- Vita 4 compliant



Digital Input / Output Industry Pack 48 Channels I/O, Open Collector



IP-DIO48-OC

Features

- Up to 48 I/O pins Independent programmable
- Direct read-back outputs
- Open Collector VMOS that can sink up to 100mA at voltage up to 40V.
- Very low Ron (2Ω)
- Change of state detection can generate IP Interrupt
- Integrated Altera logic
- Low Threshled 1.6 V Max

I/O Level

- Wide input range from 0V to 40V
- 48 Channels / Digital Input/ Outputs
- Time Debouncing feature, Programmable
- Selectable Interrupts (from High to Low or Low to High)

Programmable via

- IP Bus

IP interface

- 8/32 MHz clock
- 16 bit data
- Interrupts

Operating: Environmental

- Operating temperature
 Commercial: 0 to +55 °C
 Optional: -25°C to +80°C
- Non-operating: -40°C to 85 °C
- Airflow requirement: .5 CFM
- Humidity: 5 to 90% (non-cond.)
- Altitude: 0 to 10'000 ft

Mechanical:

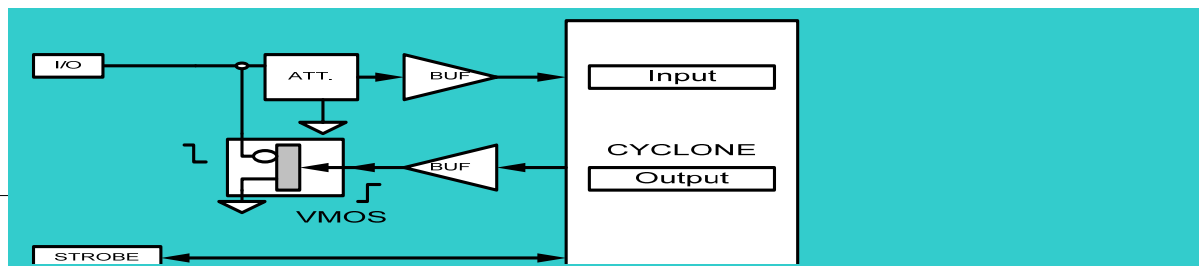
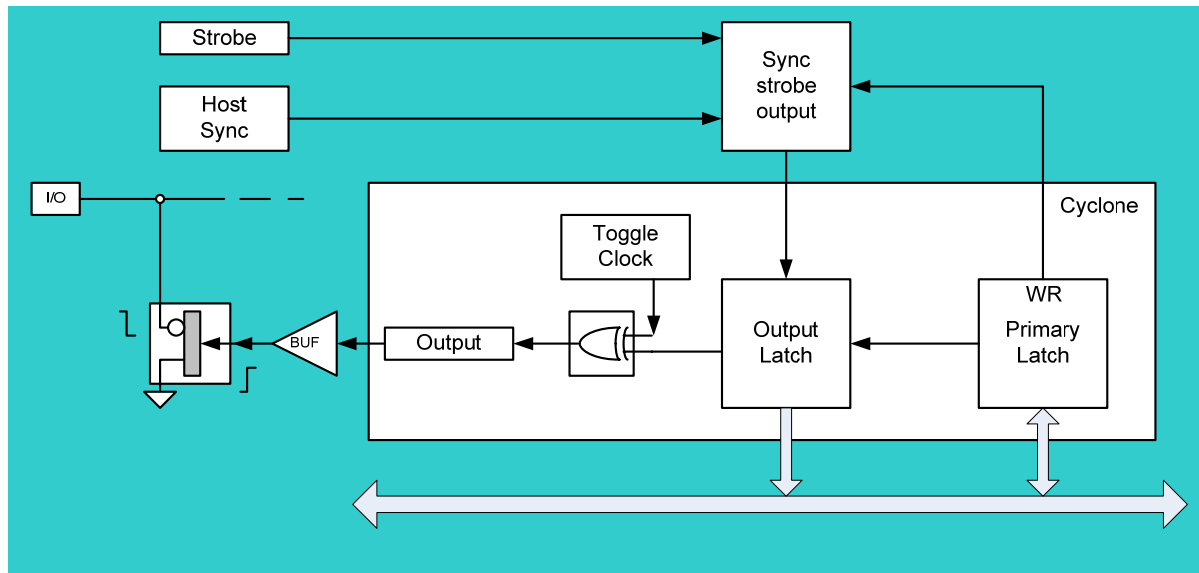
1.8" x 3.9"

Environmental

- Size: Vita 4
 Type 1 IP

- Power: up to 3.5 watt
- Vibration: 0.5G RMS
 20-2000 Hz rand

- Shock: 20 G, 11 ms, ½ sine
- Weight: tbd
- MTBF: >250000 hours



ORDERING INFORMATION

Part Number: IP-DIO48-OC 48 ch. programmable digital I/O
 IP-DIO48-OC-I -40 to +85 C

Optional Accessories

Part Number : TB-50-HDR 50 pin terminal block and 1meter flat ribbon cable
 CBL-50-HDR 50 pin,1meter flat ribbon cable, IDC header connector

Alphi Technology Corporation
 6202 South Maple Ave, Suite 120
 Tempe, Arizona 85283, USA
 Tel: (480) 838 2428
 Fax: (480) 838 4477

For ordering information: sales@alphitech.com Please visit our web site at www.alphitech.com