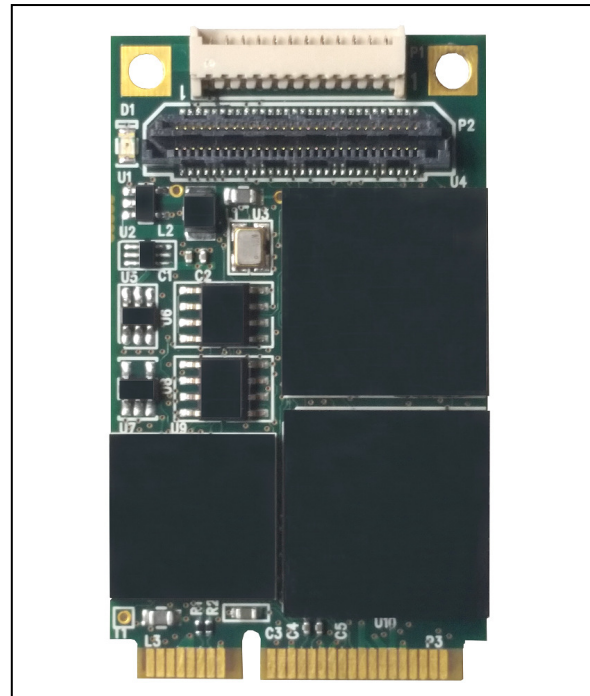


**Two Channel Dual Redundant
 1553 Controller, Multiple RT Support**

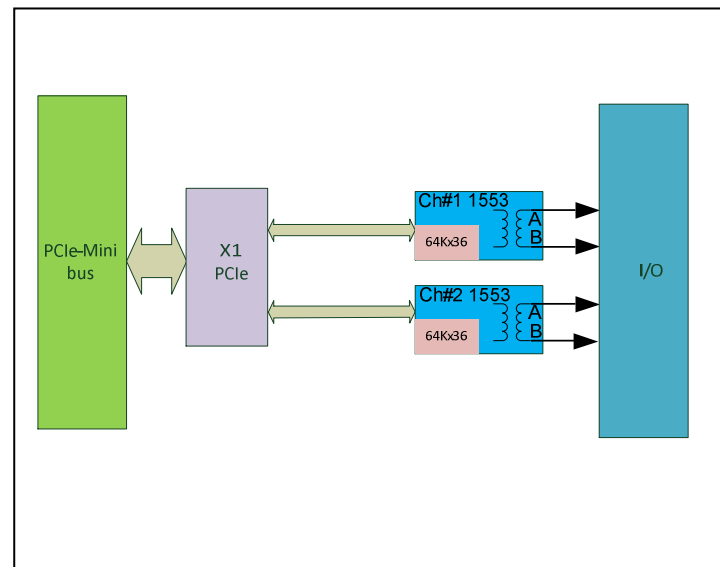
Features

- PCIexpress x1 Lane Interface
- Two Dual redundant MIL-STD-1553 Controller (A/B channel)
- Multiprotocol Support: MIL-STD-1553A/B STANAG-3838 and MIL-STD-1760
- 2Mb RAM per Channel
- Programmable mode: Bus Controller, Remote Terminal with concurrent Bus monitor
- IRIG-106 Chapter 10 Monitor
- Emulate up to 31 RT addresses simultaneously
- Filter based on RT address, T/R bit, Sub-Address
- Transformer Coupled
- IRIG-B Digital Input (optional)
- 8 Digital Discrete I/O (optional)



Block Diagram Overview

The ALPHI PCIe-Mini-1553-2 uses DDC Total-Ace communication device as its 1553 bus controller, or remote terminal with concurrent Bus monitor terminal. Dual controller has a Dual redundant channel with built in transceivers and transformer. The controller has the capability to emulate up to 31 RT addresses simultaneously. The PCIe-Mini-1553-2in RT mode can filter on RT address, T/R, Subaddress. The PCIe-Mini-1553-2 is offered is extended temperature. The board format is a full PCIexpress Mini board.



Available Software Drivers:

- C library dll's
- Linux drivers
- Window XP drivers
- VxWorks drivers

Applications:

This is a perfect solution for a wide array of 1553 Communication applications such as:

- Industrial and Military
- Test equipment supporting evaluation, simulation
- Monitoring, and analysis,
- Operational equipment such as avionics, space Satellite systems, aircraft onboard systems,
- Commercial systems
- Many others

Ordering Information

PCIe-Mini1553-2 : Two Channels Dual Redundant 1553 Controller, -40°C to +85°C operating temp

Optional Accessories

Mcb1-1553 : 12 Inch 1553 Cable